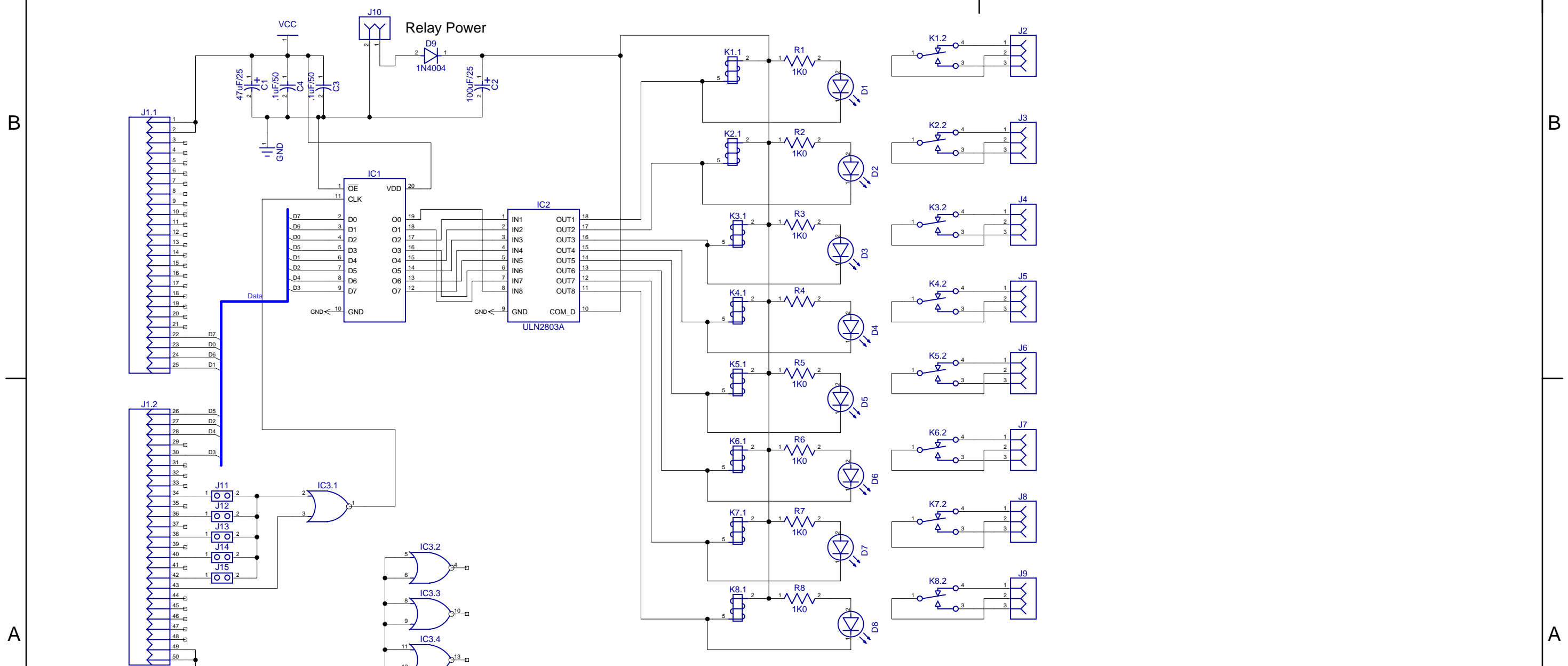


2

1

REVISIONS				
ZONE	REV	DESCRIPTION	DATE	APPROVED



B

B

A

A

2

1

6502SBC Expansion Board 8 Relay Control			
BBR Computing Richard Cini			
SIZE A	FSCM NO.	DWG NO.	REV 1
SCALE	7/15/2007	6502_Relay Board.dch	