



digital

RK05J

Engineering Drawings

Digital Equipment Corporation

The material herein is for information purposes only and is subject to change without notice. Digital Equipment Corporation assumes no responsibility for any errors which may appear herein.

These drawings and specifications herein are the property of Digital Equipment Corporation and shall not be reproduced or copied or used in whole or in part as the basis for the manufacture or sale of items without written permission.
Copyright © 1975, Digital Equipment Corporation



DRAWING DIRECTORY

THIS DRAWING AND SPECIFICATIONS, HEREIN, ARE THE PROPERTY OF DIGITAL EQUIPMENT CORPORATION AND SHALL NOT BE REPRODUCED OR COPIED OR USED IN WHOLE OR IN PART AS THE BASIS FOR THE MANUFACTURE OR SALE OF ITEMS WITHOUT WRITTEN PERMISSION. COPYRIGHT © DIGITAL EQUIPMENT CORPORATION

CUSTOMER PRINT SET INDEX

DRAWING DIRECTORY

- MODULE UTILIZATION LIST
- READ/WRITE
- INDEX SECTOR
- CONTROL & INTERLOCK
- TRACK ADDRESS DIFFERENCE
- POSITION SERVO PREAMP
- SERVO POWER AMP CIRCUIT
- SERVO POWER AMP
- CONTROL PANEL CIRCUIT
- CONTROL PANEL
- RELAY BOARD CIRCUIT
- DECPACK MOTOR RELAYS
- CHASSIS WIRING
- ACCESSORY LIST
- POWER SUPPLY (H743)
- WIRE LIST

SEQUENCE

- B-DD-RK05J-0
- SHEET #1 ONLY
- C-MU-RK05-0-2
- D-CS-G180-0-1
- D-CS-M7700-0-1
- D-CS-M7702-0-1
- D-CS-M7701-0-1
- D-CS-G938-0-1
- D-CS-H604-0-1
- E-UA-H604-0-0
- D-CS-5409698-0-1
- E-IA-5409698-0-0
- D-CS-5409574-0-1
- E-IA-5409574-0-0
- D-BD-RK05-0-1
- A-AL-RK05-0-17
- B-DD-H73-0
- K-WL-RK05-0-3

MFG. PRINT SET

- MODULE UTILIZATION (PL)
- RK05J TESTER
- DECPACK ASSY
- DECPACK ASSY (PL)
- WIRED ASSY
- LINEAR POSITIONER ASSY
- LINEAR POSITIONER ASSY (PL)
- H743 POWER SUPPLY
- REVISION STATUS

SEQUENCE

- A-PL-RK05-0-2
- B-DD-RK05J-T
- D-UA-RK05J-0-0
- A-PL-RK05J-0-0
- D-AD-7008696-0-0
- D-AD-7008702-0-0
- A-PL-7008702-0-0
- B-DD-H743-0
- A-WT-7008696-0

THIS IS PRINT SET

UNIT VARIATIONS		PRINT SET		
VAR	TITLE	RK05J-0		
RK05J-AA	DECPACK 115V 60HZ	X		
RK05J-AB	DECPACK 230V 60HZ	X		
RK05J-BA	DECPACK 115V 50HZ	X		
RK05J-BB	DECPACK 230V 50HZ	X		
RK05J-CA	RK05J-AA H967			
RK05J-CD	RK05J BB H967			
RK05J-DE	RK05J AA H960 861 PWR CONTROL			
RK05J-DF	RK05J AB H960 861			
RK05J-DH	RK05J BA H960 861			
RK05J-DJ	RK05J BB H960 861			

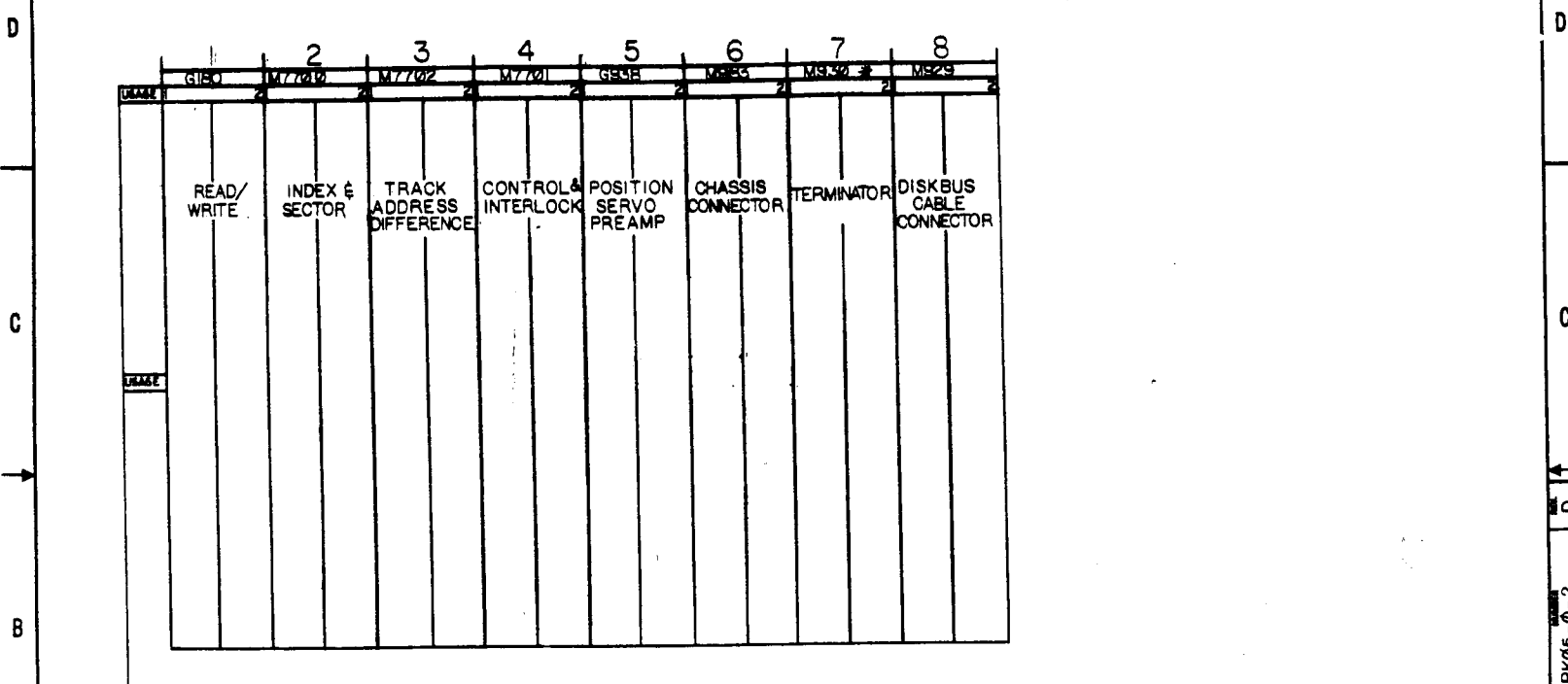
DATE	CHG. NO.	REV
A.V. RK05-69	AL	
DWC WAS RK05-0		
A.V. RK05J-3	AM	
MZ RK05J-4	AN	
07/77 RK05J-5	AP	

USED ON OPTION/MODEL	DRAWN	DATE	TITLE		
	J. FLEMING	1/72	DECPACK ASSY		
	CHK'D				
	J. FLEMING	5/72			
	PROJ. ENG.				
	A. KARLSBERG	5/72			
	PROD.		SIZE CODE	NUMBER	REV
	A. KARLSBERG	5/72	B DD	RK05J 0	AP
	FIELD SERV.				
	J. WALSH	5/72	DIST		

SHEET 1 OF 5

The drawing and construction, here, on the part of Digital Equipment Corporation, Inc. is not intended to constitute a contract. It is subject to change without notice and is not to be construed as a contract or warranty of any kind unless it is specifically so stated in writing.

NOTE:
TERMINATOR OR DISKBUS CABLE CONNECTOR MAY BE INTERCHANGED BETWEEN SLOTS 7 AND 8.

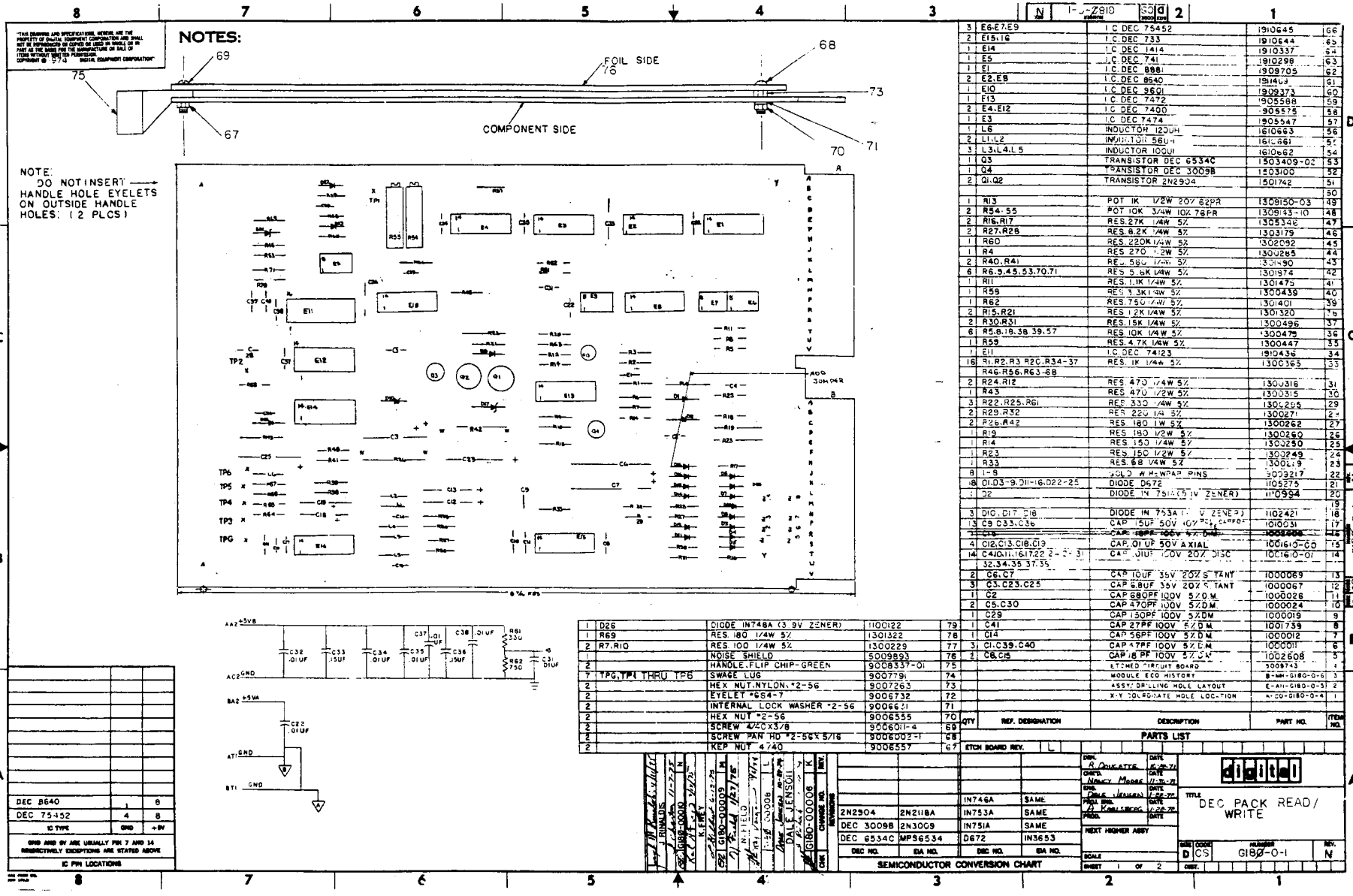


* IF MORE THAN ONE DRIVE IS USED, M930 IS REPLACED BY M929 (BC11A), M930 IS USED IN THE LAST DRIVE ON THE BUS.

REV.	CHANGE NO.	BY	DATE
A	RK05-00002	A. JENSEN	1-12-71
B	RK05-00006 (6A)	A. JENSEN	2-9-72
C	RK05-00023	A. JENSEN	2-11-72
D	RK05-00040	G. SCHNEIDER	5-25-78
		E. ALLEN	7-7-78
		G. SCHNEIDER	8-1-78

FIRST USED ON OPTION/MODEL	QTY.	DESCRIPTION	PART NO.	ITEM NO.
RK05				
PARTS LIST				
UNLESS OTHERWISE SPECIFIED DIMENSION IN INCHES TOLERANCES	DRG. DATE 11-2-71	DIGITAL EQUIPMENT CORPORATION MAYNARD, MASSACHUSETTS		
DECIMALS ANGLES	CHK'D DATE 11-9-71			
XXX - .005	ENG. DATE 2-14-72	TITLE MODULE UTILIZATION		
.XX - .02	PROB'G. DATE 11-24-71			
X - .1	PROD. DATE 11-27-71	NEXT HIGHER ASSY.		
REMOVE BURRS AND BREAK SHARP CORNERS SURFACE QUALITY				
MATERIAL		SIZE CODE	NUMBER	REV.
++		B-DD-RK05-0	CMU RK05-0-2	D
FINISH		SCALE	SHEET OF	
++		NONE	DIST.	

CMU RK05-0-2



NOTES:

THIS DRAWING AND SPECIFICATIONS DEFINE THE PROPERTY OF DEC. UNLESS OTHERWISE SPECIFIED, ALL PARTS ARE TO BE MANUFACTURED BY THE MANUFACTURER OF BEST QUALITY AND TO BE USED IN ACCORDANCE WITH THE MANUFACTURER'S DATA SHEET. THIS DRAWING IS THE PROPERTY OF DEC. IT IS TO BE KEPT IN CONFIDENCE AND NOT TO BE REPRODUCED OR COPIED IN WHOLE OR IN PART OR TO BE LOANED TO ANY OTHER PERSON OR ORGANIZATION WITHOUT THE WRITTEN PERMISSION OF DEC. (FORM 5-74)

NOTE: DO NOT INSERT HANDLE HOLE EYELETS ON OUTSIDE HANDLE HOLES: (2 PLCS)

DEC 8640	1	B
DEC 75452	4	B
IC TYPE	GND	+5V

GND AND BY ARE USUALLY PIN 7 AND 14 RESPECTIVELY UNLESS OTHERWISE STATED ABOVE

IC PIN LOCATIONS

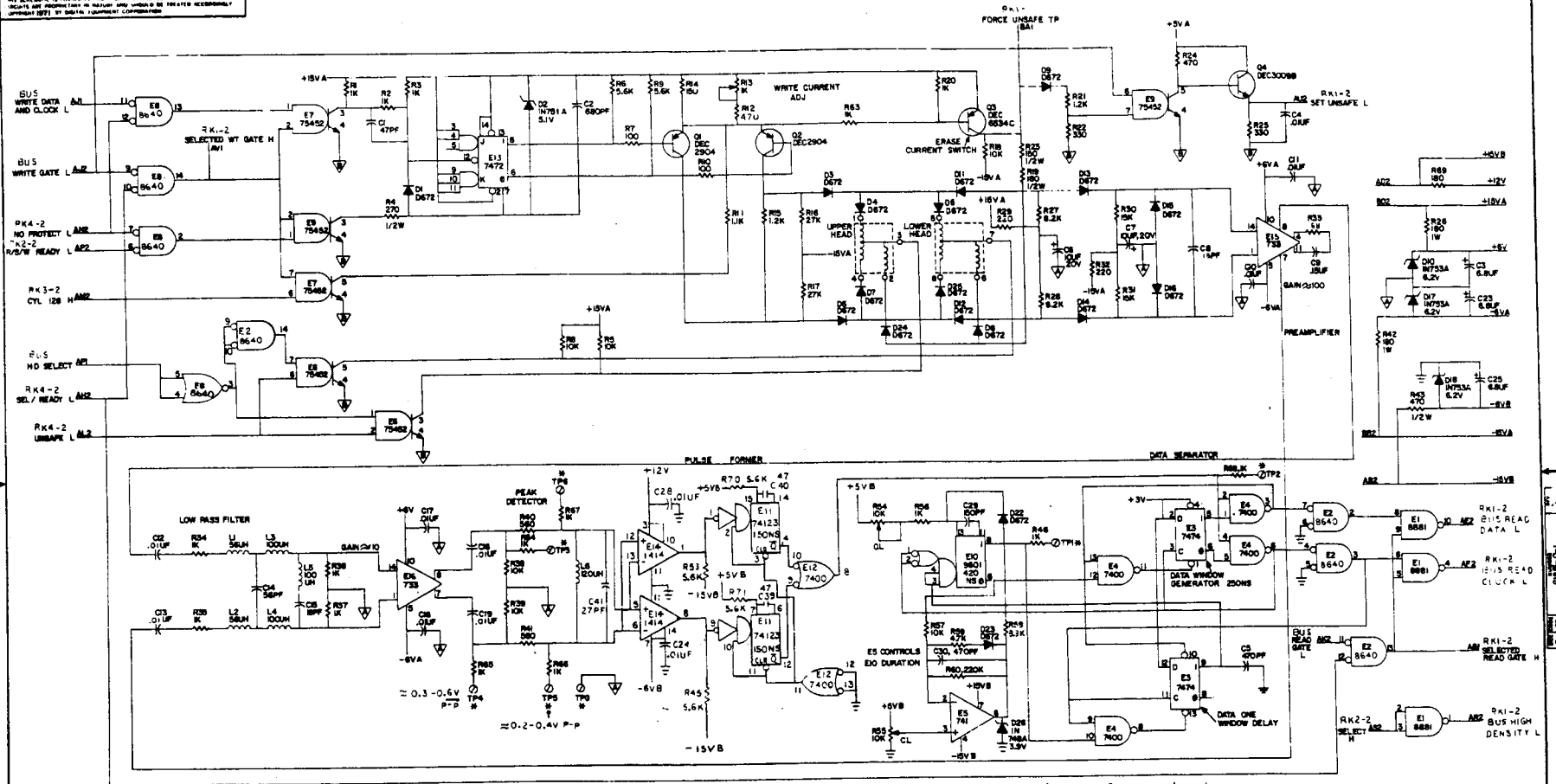
QTY	REF. DESIGNATION	DESCRIPTION	PART NO.	ITEM NO.
3	E6,E7,E9	IC DEC 75452	1910645	66
2	E10,E11	IC DEC 7333	1910644	65
1	E14	IC DEC 1414	1910337	64
1	E5	IC DEC 741	1910298	63
1	E1	IC DEC 8881	1909705	62
2	E2,E8	IC DEC 8640	1914444	61
1	E10	IC DEC 3601	1909373	60
1	E13	IC DEC 7472	1905588	59
2	E4,E12	IC DEC 7400	1905575	58
1	E3	IC DEC 7474	1905547	57
1	L6	INDUCTOR 120UH	1610663	56
2	L1,L2	INDUCTOR 56UH	1611861	55
3	L3,L4,L5	INDUCTOR 100UH	1610662	54
1	G3	TRANSISTOR DEC 6534C	1503409-02	53
1	G4	*TRANSISTOR DEC 3009B	1503100	52
2	Q1,Q2	TRANSISTOR 2N2904	1501742	51
1	R13	POT 1K 1/2W 20V 82PR	1309150-03	49
2	R54,R55	POT 10K 3/4W 10V 78PR	1309133-10	48
2	R16,R17	RES 27K 1/4W 5%	1305346	47
2	R27,R28	RES 8.2K 1/4W 5%	1303179	46
1	R60	RES 220K 1/4W 5%	1302092	45
1	R4	RES 270 1/2W 5%	1302845	44
2	R40,R41	RES 560 1/4W 5%	130190	43
6	R6,9,45,53,70,71	RES 5.6K 1/4W 5%	1301874	42
1	R11	RES 1.1K 1/4W 5%	1301475	41
1	R59	RES 3.3K 1/4W 5%	1300439	40
1	R62	RES 750 1/4W 5%	1304401	39
2	R15,R21	RES 1.2K 1/4W 5%	1301320	38
2	R30,R31	RES 15K 1/4W 5%	1300496	37
6	R5,B,18,38,39,57	RES 10K 1/4W 5%	1300478	36
1	R59	RES 4.7K 1/4W 5%	1300447	35
1	E1	IC DEC 74123	1910436	34
16	R1,R2,R3,R2C,R34-37	RES 1K 1/4W 5%	1300365	33
1	R46,R56,R63-68	RES 470 1/4W 5%	1300316	31
2	R24,R12	RES 470 1/2W 5%	1300315	30
1	R43	RES 330 1/4W 5%	1300255	29
3	R22,R25,R61	RES 250 1/4W 5%	1300271	28
2	R29,R32	RES 180 1/4W 5%	1300268	27
2	R26,R42	RES 180 1/2W 5%	1300260	26
1	R19	RES 150 1/4W 5%	1303250	25
1	R14	RES 150 1/2W 5%	1302449	24
1	R23	RES 68 1/4W 5%	1300119	23
8	B	JOL 3 W 2-WRAP PINS	3003217	22
1	D1,D3-9,D11-16,D22-25	DIODE 0672	1105072	21
1	D2	DIODE IN 751A (5V ZENER)	1105964	20
3	D10,D17,D18	DIODE IN 753A (5V ZENER)	1102421	19
13	C9,C33,C36	CAP 150UF 50V 10% 75C	1000031	17
1	C2	CAP 100UF 50V 10% 75C	1000028	16
1	C1	CAP 100UF 50V 10% 75C	1000024	15
14	C40,C11,C12,C19	CAP 10UF 100V 20% D3C	1001610-01	14
1	C32,C4,35,37,35	CAP 150PF 100V 5% D.M.	1000019	9
2	C6,C7	CAP 6.8UF 35V 20% TANT	1000069	13
3	C3,C23,C25	CAP 6.8UF 35V 20% TANT	1000067	12
1	C2	CAP 680PF 100V 5% D.M.	1000026	11
2	C5,C30	CAP 470PF 100V 5% D.M.	1000024	10
1	C29	CAP 150PF 100V 5% D.M.	1000019	9
1	C41	CAP 27PF 100V 5% D.M.	1001739	8
1	C14	CAP 56PF 100V 5% D.M.	1000012	7
3	C1,C39,C40	CAP 47PF 100V 5% D.M.	1000011	6
2	C8,C5	CAP 16 PF 100V 5% D.M.	1002608	5
1	C3	ETCHED THROUGH HOLES	5509743	1
1	C4	MODULE ECG HISTORY	8444-080-043	3
1	C5	ASSY DRILLING HOLE LAYOUT	E-AH-GND-01-2	2
1	C6	X-Y COORDINATE HOLE LOCATION	A-50-8180-0-4	1

QTY	REF. DESIGNATION	DESCRIPTION	PART NO.	ITEM NO.
1	D26	DIODE INT48A (3 BY ZENER)	1100122	79
1	R69	RES 180 1/4W 5%	1301322	78
2	R7,R10	RES 100 1/4W 5%	1300229	77
2		NOISE SHIELD	5009893	76
2		HANDLE FLIP CHIP-GREEN	9008337-01	75
7	TPG,YPL THRU TPG	SWAGE LUG	9007791	74
2		HEX NUT,NYLON,*2-56	9007263	73
2		EYELET *6S4-7	9006732	72
2		INTERNAL LOCK WASHER *2-56	9006631	71
2		HEX NUT *2-56	9006555	70
2		SCREW 4/20X3/8	9006011-4	69
2		SCREW PAN HD *2-56X 5/16	9006002-1	68
2		REF NUT 4/40	9006537	67

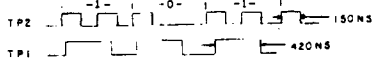
ETCH BOARD REV.		PARTS LIST		TITLE	
1	L	IN746A	SAME	DEC PACK READ/WRITE	
2N2904	2N218A	IN753A	SAME	REV. 1	
DEC 3009B	2N3009	IN751A	SAME	NEXT HIGHER ASBY	
DEC 6534C	IMP96534	D672	IN3653	SCALE: 1 OF 2	
DEC NO.	ISA NO.	DEC NO.	ISA NO.	REV. N	

SEMICONDUCTOR CONVERSION CHART

THIS SCHEMATIC IS A PART OF THE 11-11-57 AND MAINTENANCE MANUALS. THE SCHEMATIC IS PROVIDED FOR INFORMATION ONLY, UNLESS OTHERWISE INDICATED. APPROVED BY THE DESIGN ENGINEER.



UNLESS OTHERWISE INDICATED:
 * INDICATED SHOWN LIST
 ▽ - ANALOG GND "A" ST1
 ▽ - ANALOG GND "B" ST1
 ▽ - DIGITAL GND AC2
 — COMPONENTS NOT MOUNTED ON BOARD
 ALL TIMES INDICATED ARE NOMINAL



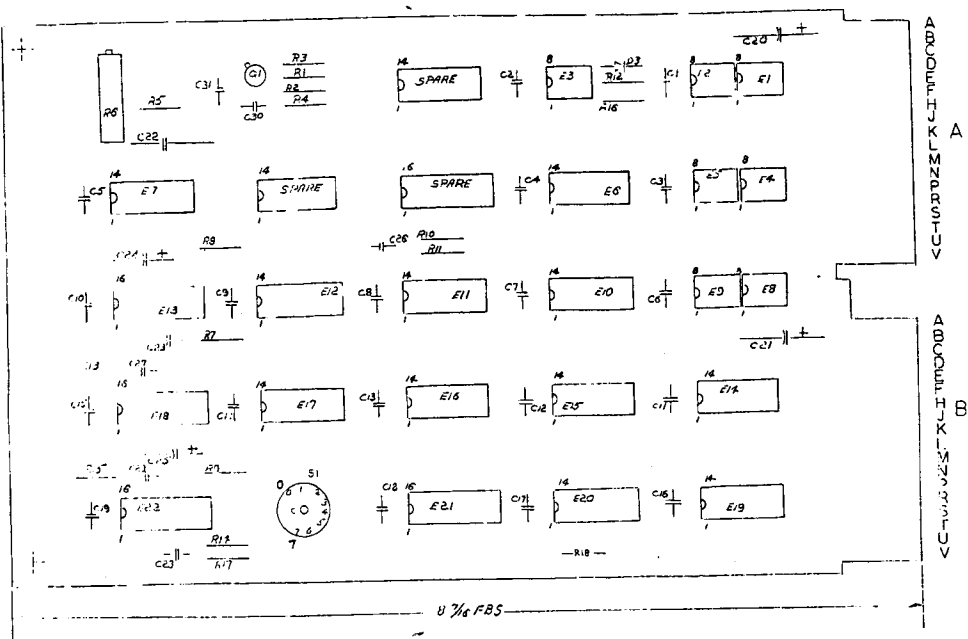
SL01-1

TRANSMITTER & CLOCK COMPRESSION CHART		REVISIONS		DATE	
REV	BY	DATE	REV	DATE	DESCRIPTION
1			1		
2			2		
3			3		
4			4		
5			5		

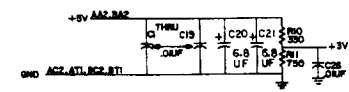
EQUIPMENT		CORPORATION		DEC PACK READ/WRITE	
MODEL		SERIAL		DATE	
D C S		08F-0-1		11	
DRAWN		CHECKED		APPROVED	
DATE		DATE		DATE	

NOTES:
1. ITEM #23 CAN BE REPLACED BY A DEC 6534C(15034C90A) TRANSISTOR IF NEEDED

THIS IS DRAWING OF COMPONENTS ONLY THE TEST AND MAINTENANCE PERSONNEL TAKE UP THIS AND RELATED LIST TO BE MADE AND LISTED TO BE TESTED ACCORDINGLY (PARTS) LIST BY SERIAL NUMBER FOR IDENTIFICATION



NOTES:
PIN 7 - GND ON E2, E21, E22, E23
PIN 8 - +5V ON E2, E21, E22, E23
PIN 9 - GND ON E2, E22
PIN 10 - +5V ON E2, E22
PIN 11 - GND ON E22
PIN 12 - +5V ON E2, E21, E22
PIN 13 - +5V ON E2, E21, E22



QTY	PART DESIGNATION	DESCRIPTION	MANUFACTURER	PART NO.
1	C20, 21	CAP. 0.001UF 25V 20%	1000047	40
1	R2	RESISTOR 5.7K 1/4W 5%	1000047	1
1	C22	CAP. 0.001UF 100V 10% MYLAR	1000784	25
2		HARDWARE, PLATE CHIMP - MOUNTING	1000377-04	7
4	R20	RESISTOR	1000377-04	7
1	R1A, R1B, R1C	I.C. DEC 7400	1000380	26
7	E1-E, E20	I.C. DEC 7401	1000381	27
1	E7	I.C. DEC 7402	1000382	28
1	E21	I.C. DEC 7403	1000383	29
1	E14	I.C. DEC 7404	1000384	30
2	E15, E19	I.C. DEC 7405	1000385	31
2	E16, E18	I.C. DEC 7406	1000386	32
1	E10	I.C. DEC 7407	1000387	33
1	E11	I.C. DEC 7408	1000388	34
1	E12	I.C. DEC 7409	1000389	35
1	E13	I.C. DEC 7410	1000390	36
1	E17	I.C. DEC 7411	1000391	37
1	E18	I.C. DEC 7412	1000392	38
1	E19	I.C. DEC 7413	1000393	39
1	E20	I.C. DEC 7414	1000394	40
1	E21	I.C. DEC 7415	1000395	41
1	E22	I.C. DEC 7416	1000396	42
1	E23	I.C. DEC 7417	1000397	43
1	E24	I.C. DEC 7418	1000398	44
1	E25	I.C. DEC 7419	1000399	45
1	E26	I.C. DEC 7420	1000400	46
1	E27	I.C. DEC 7421	1000401	47
1	E28	I.C. DEC 7422	1000402	48
1	E29	I.C. DEC 7423	1000403	49
1	E30	I.C. DEC 7424	1000404	50
1	E31	I.C. DEC 7425	1000405	51
1	E32	I.C. DEC 7426	1000406	52
1	E33	I.C. DEC 7427	1000407	53
1	E34	I.C. DEC 7428	1000408	54
1	E35	I.C. DEC 7429	1000409	55
1	E36	I.C. DEC 7430	1000410	56
1	E37	I.C. DEC 7431	1000411	57
1	E38	I.C. DEC 7432	1000412	58
1	E39	I.C. DEC 7433	1000413	59
1	E40	I.C. DEC 7434	1000414	60
1	E41	I.C. DEC 7435	1000415	61
1	E42	I.C. DEC 7436	1000416	62
1	E43	I.C. DEC 7437	1000417	63
1	E44	I.C. DEC 7438	1000418	64
1	E45	I.C. DEC 7439	1000419	65
1	E46	I.C. DEC 7440	1000420	66
1	E47	I.C. DEC 7441	1000421	67
1	E48	I.C. DEC 7442	1000422	68
1	E49	I.C. DEC 7443	1000423	69
1	E50	I.C. DEC 7444	1000424	70
1	E51	I.C. DEC 7445	1000425	71
1	E52	I.C. DEC 7446	1000426	72
1	E53	I.C. DEC 7447	1000427	73
1	E54	I.C. DEC 7448	1000428	74
1	E55	I.C. DEC 7449	1000429	75
1	E56	I.C. DEC 7450	1000430	76
1	E57	I.C. DEC 7451	1000431	77
1	E58	I.C. DEC 7452	1000432	78
1	E59	I.C. DEC 7453	1000433	79
1	E60	I.C. DEC 7454	1000434	80
1	E61	I.C. DEC 7455	1000435	81
1	E62	I.C. DEC 7456	1000436	82
1	E63	I.C. DEC 7457	1000437	83
1	E64	I.C. DEC 7458	1000438	84
1	E65	I.C. DEC 7459	1000439	85
1	E66	I.C. DEC 7460	1000440	86
1	E67	I.C. DEC 7461	1000441	87
1	E68	I.C. DEC 7462	1000442	88
1	E69	I.C. DEC 7463	1000443	89
1	E70	I.C. DEC 7464	1000444	90
1	E71	I.C. DEC 7465	1000445	91
1	E72	I.C. DEC 7466	1000446	92
1	E73	I.C. DEC 7467	1000447	93
1	E74	I.C. DEC 7468	1000448	94
1	E75	I.C. DEC 7469	1000449	95
1	E76	I.C. DEC 7470	1000450	96
1	E77	I.C. DEC 7471	1000451	97
1	E78	I.C. DEC 7472	1000452	98
1	E79	I.C. DEC 7473	1000453	99
1	E80	I.C. DEC 7474	1000454	100

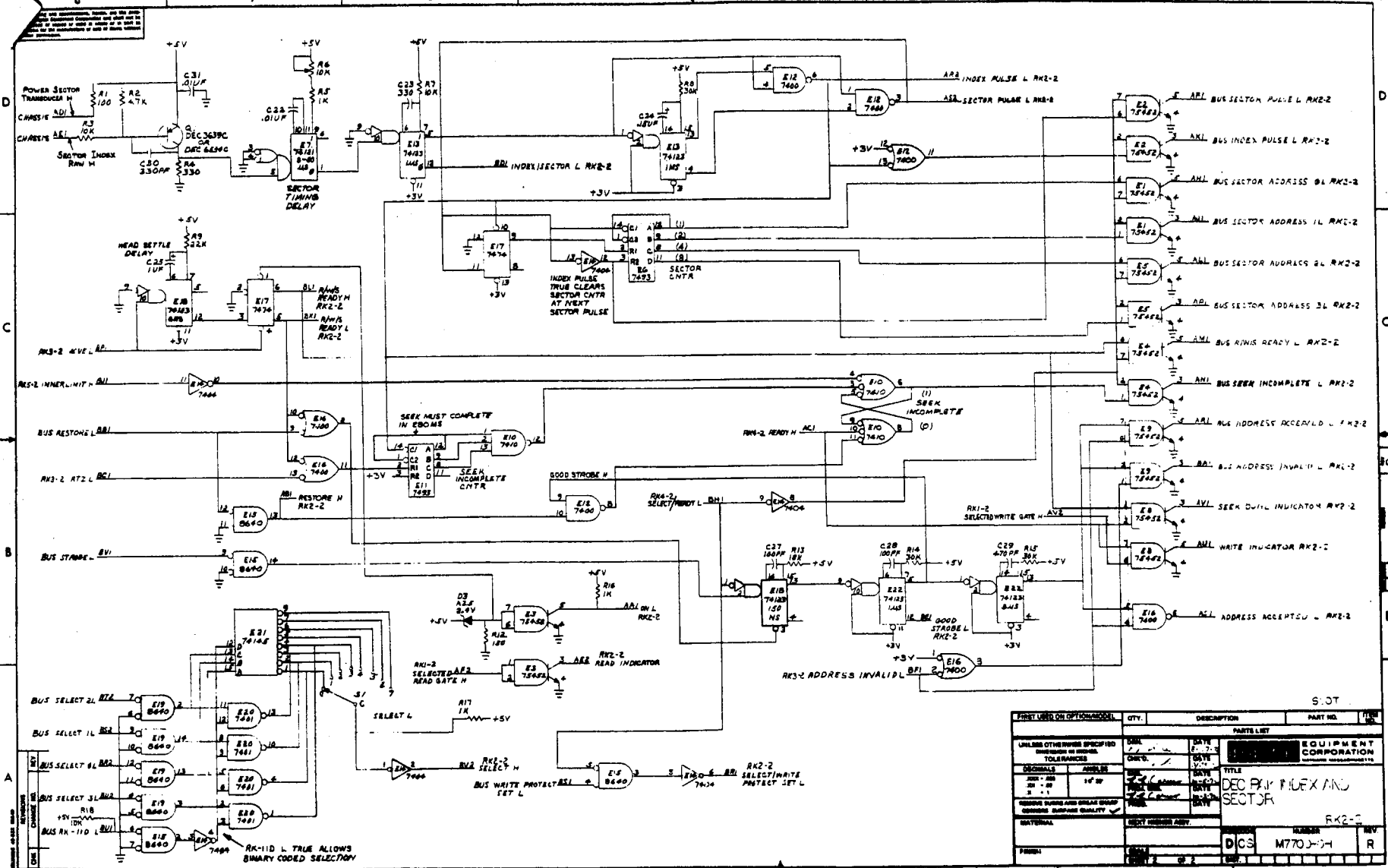
TRANSDUCER & SENSITIVE COMPONENTS CHECK

EQUIPMENT COMPARISON

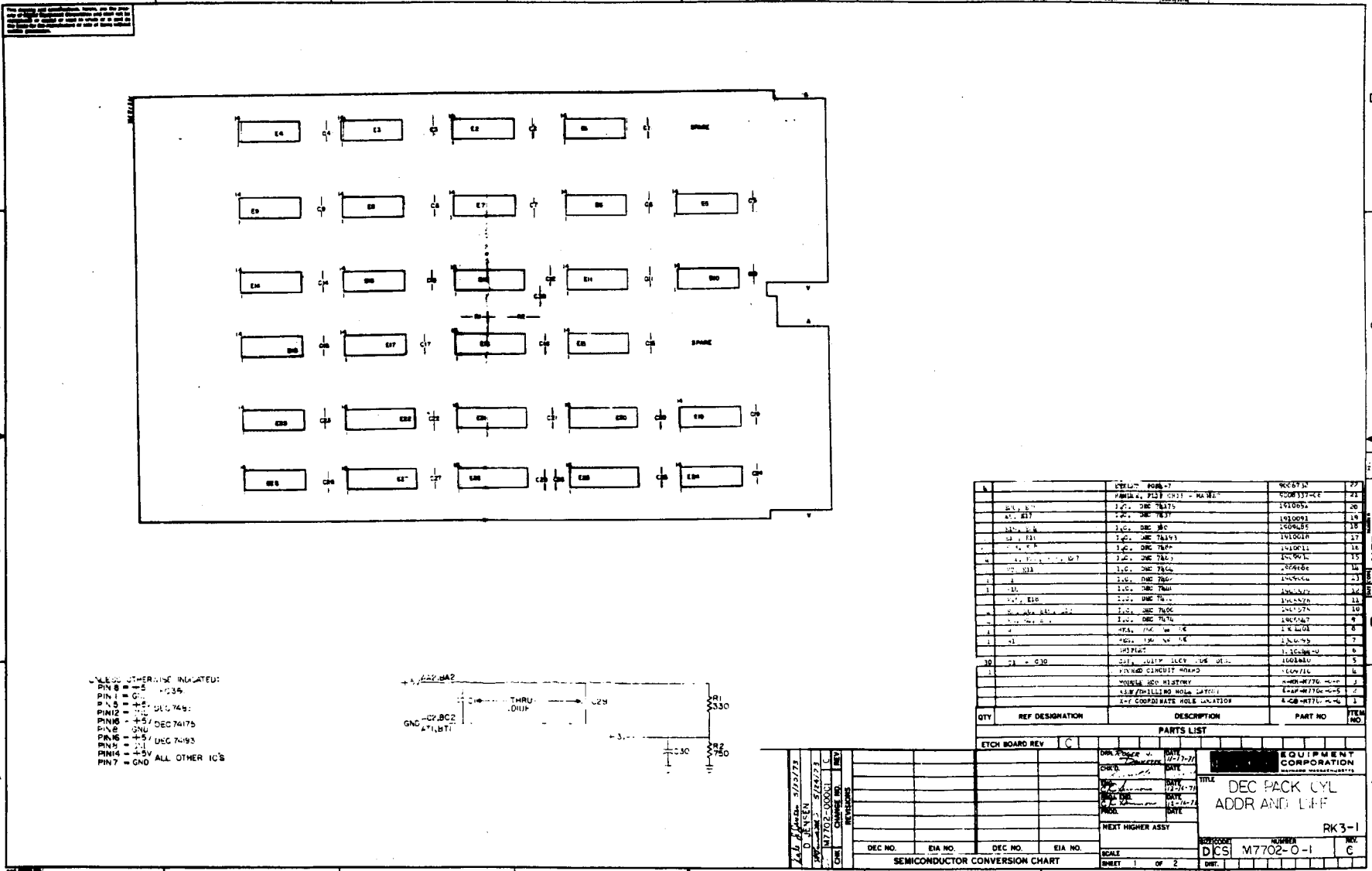
DEC PAK INDEX AND SECTOR

RR2-1

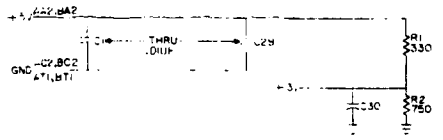
1960-0-1



QTY.	DESCRIPTION	PART NO.	REV.
PARTS LIST			
EQUIPMENT CORPORATION			
TITLE			
DEC PAK INDEX AND SECTOR			
RK2-2			
DCS		M770-J-1	R



UNLESS OTHERWISE INDICATED:
 PIN 8 = +5V
 PIN 1 = GND
 PIN 5 = +5V
 PIN 12 = GND
 PIN 6 = +5V DEC 74175
 PIN 8 = GND
 PIN 16 = +5V DEC 74193
 PIN 9 = +5V
 PIN 14 = +5V
 PIN 7 = GND
 PIN 4 = +5V ALL OTHER IC'S
 PIN 7 = GND



QTY	REF DESIGNATION	DESCRIPTION	PART NO	ITEM NO
1	E1	IC	74175	21
1	E2	IC	74175	20
1	E3	IC	74175	19
1	E4	IC	74175	18
1	E5	IC	74175	17
1	E6	IC	74175	16
1	E7	IC	74175	15
1	E8	IC	74175	14
1	E9	IC	74175	13
1	E10	IC	74175	12
1	E11	IC	74175	11
1	E12	IC	74175	10
1	E13	IC	74175	9
1	E14	IC	74175	8
1	E15	IC	74175	7
1	E16	IC	74175	6
1	E17	IC	74175	5
1	E18	IC	74175	4
1	E19	IC	74175	3
1	E20	IC	74175	2
1	E21	IC	74175	1

ETCH BOARD REV C

REVISION HISTORY

REV	DATE	DESCRIPTION
1	11/17/77	INITIAL DESIGN
2	11/17/77	REVISED FOR MANUFACTURING
3	11/17/77	REVISED FOR MANUFACTURING
4	11/17/77	REVISED FOR MANUFACTURING
5	11/17/77	REVISED FOR MANUFACTURING
6	11/17/77	REVISED FOR MANUFACTURING
7	11/17/77	REVISED FOR MANUFACTURING
8	11/17/77	REVISED FOR MANUFACTURING
9	11/17/77	REVISED FOR MANUFACTURING
10	11/17/77	REVISED FOR MANUFACTURING
11	11/17/77	REVISED FOR MANUFACTURING
12	11/17/77	REVISED FOR MANUFACTURING
13	11/17/77	REVISED FOR MANUFACTURING
14	11/17/77	REVISED FOR MANUFACTURING
15	11/17/77	REVISED FOR MANUFACTURING
16	11/17/77	REVISED FOR MANUFACTURING
17	11/17/77	REVISED FOR MANUFACTURING
18	11/17/77	REVISED FOR MANUFACTURING
19	11/17/77	REVISED FOR MANUFACTURING
20	11/17/77	REVISED FOR MANUFACTURING
21	11/17/77	REVISED FOR MANUFACTURING
22	11/17/77	REVISED FOR MANUFACTURING
23	11/17/77	REVISED FOR MANUFACTURING
24	11/17/77	REVISED FOR MANUFACTURING
25	11/17/77	REVISED FOR MANUFACTURING
26	11/17/77	REVISED FOR MANUFACTURING
27	11/17/77	REVISED FOR MANUFACTURING
28	11/17/77	REVISED FOR MANUFACTURING
29	11/17/77	REVISED FOR MANUFACTURING
30	11/17/77	REVISED FOR MANUFACTURING

DEC NO. EIA NO. DEC NO. EIA NO.

SCALE: SHEET 1 of 2

REVISIONS

DATE: 11/17/77

BY: D. JENSEN

CHG. NO. 1

REV. 1

SEMICONDUCTOR CONVERSION CHART

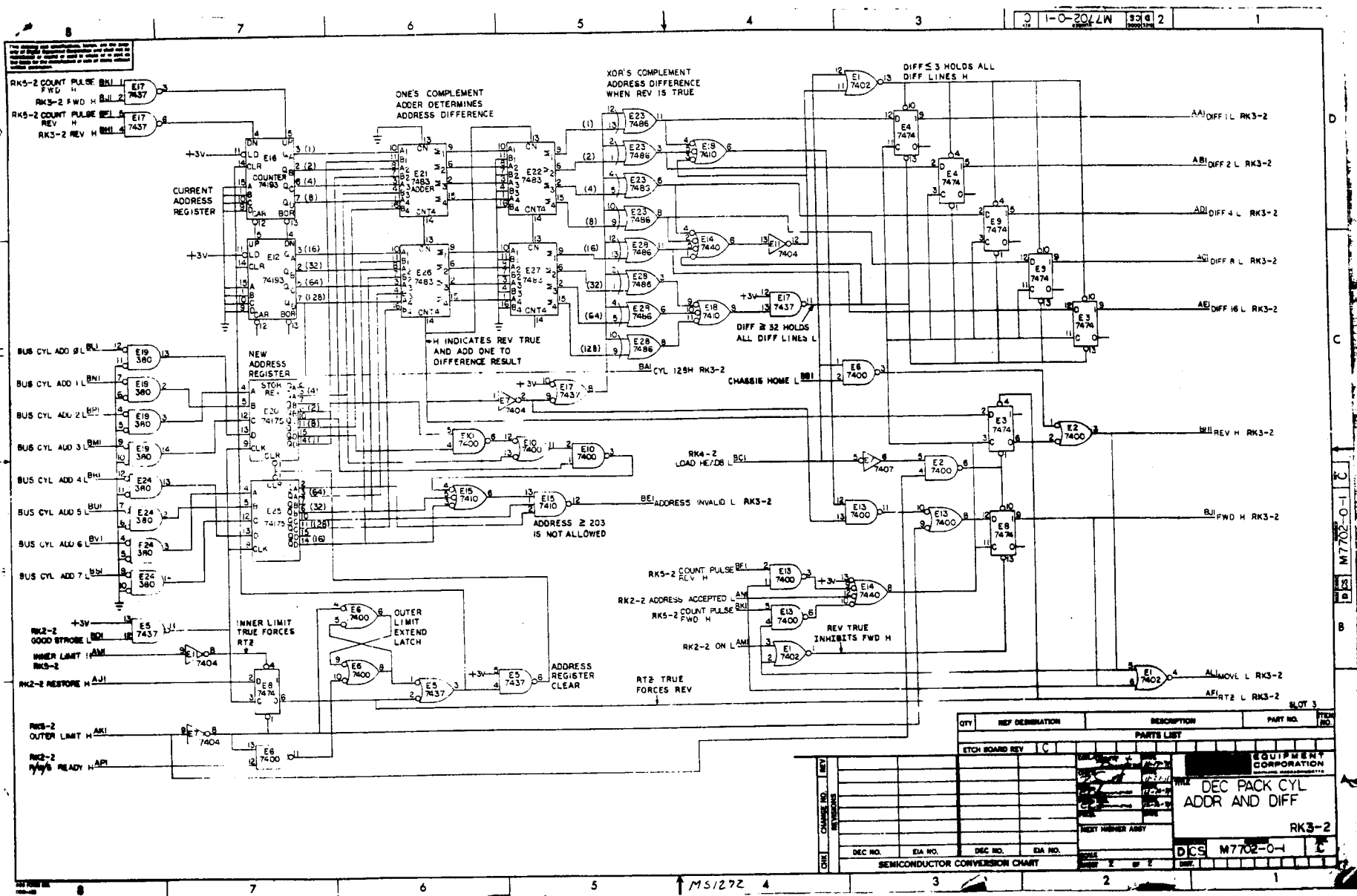
COMPONENT CORPORATION

TITLE: DEC PACK CYL ADDR AND LIF

NUMBER: RK3-1

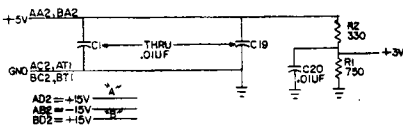
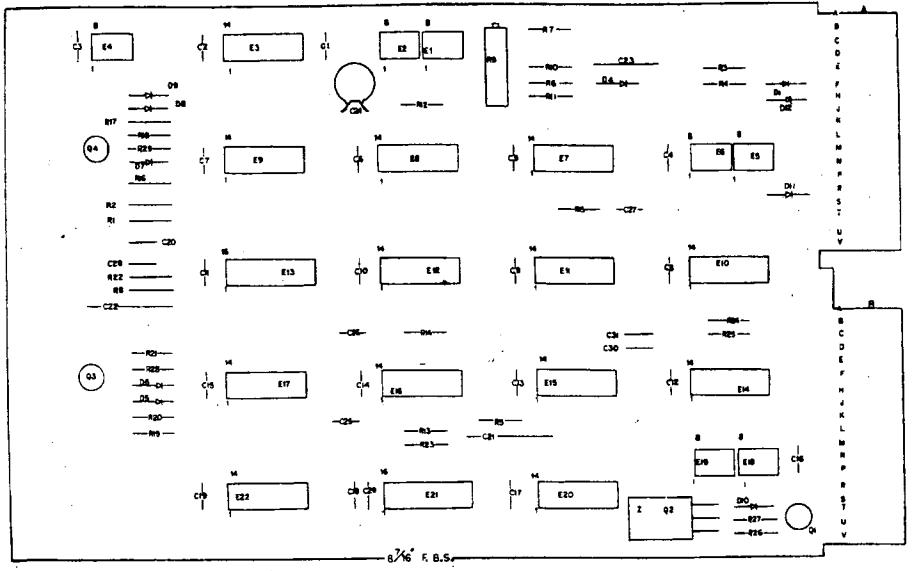
SCALE: DCSI M7702-0-1

REV. C



QTY	REF DESIGNATION	DESCRIPTION	PART NO.	ITEM NO.
		PARTS LIST		
		ETCH BOARD REV C		
		EQUIPMENT CORPORATION		
		DEC PACK CYL ADDR AND DIFF		
		RK3-2		
		DEC M7702-0-1		
		SEMICONDUCTOR CONVERSION CHART		

THE INFORMATION CONTAINED HEREIN IS UNCLASSIFIED DATE 11-28-83 BY 4802/UCB/K



4-3-73	D. JENSEN	4-3-73	M	181701-00009	M	181701-00008	K	181701-00007	L	181701-00006	J	181701-00005	I	181701-00004	H	181701-00003	G	181701-00002	F	181701-00001	E	181701-00000	D	181701-00000	C	181701-00000	B	181701-00000	A	181701-00000
--------	-----------	--------	---	--------------	---	--------------	---	--------------	---	--------------	---	--------------	---	--------------	---	--------------	---	--------------	---	--------------	---	--------------	---	--------------	---	--------------	---	--------------	---	--------------

QTY	REF DESIGNATION	DESCRIPTION	PART NO.	ITEM NO.	
1	C24	CAP. 0.47UF 16V DISC	1009678	50	
1	D12	DIODE 1N5248B .18V 5%	1110766	49	
1	1	RES. 10K 1/4W	9004557	48	
1	2	SCRIB. 1-NO X 5/16	9004010-1	47	
1	3	WAXED, PHIP CRIP - MAGNETA	9008337-06	46	
1	4	RESIST. 75K	9005735	45	
1	5	I.C. DMC 2067	1810587	44	
1	6	RES. 4, 6, 5, 10, 10	I.C. DMC 75K1	1810604	43
2	7	RES. 1.1	I.C. DMC 75K2	1810636	42
2	8	RES. 1.7	I.C. DMC 7603	1809058	41
2	9	RES. 1.5	I.C. DMC 7604	1809587	40
2	10	RES. 1.0	I.C. DMC 7605	1809576	39
2	11	RES. 0	I.C. DMC 7606	1809564	38
1	12	RES. 0	I.C. DMC 7607	1809554	37
1	13	RES. 7, 14, 14	I.C. DMC 7608	1809575	36
1	14	TRANSISTOR DMC 45C3	1801071	35	
1	15	TRANSISTOR DMC 45M3	1803899-00	34	
1	16	TRANSISTOR DMC 2219	1801061	33	
1	17	TRANSISTOR DMC 45C4	1809138	32	
1	18	RES. 10K 1/4W 10% 74FR	1809413-10	31	
1	19	RES. 10K 1/4W 5%	1808444	30	
2	20	RES. 10K 1/4W 5%	1808595	29	
1	21	RES. 10K 1/4W 5%	1808479	28	
1	22	RES. 5.6K 1/4W 5%	1801576	25	
2	23	RES. 1.7K 1/4W 5%	1804247	26	
1	24	RES. 680 1/4W 5%	1804426	23	
1	25	RES. 1.2K 1/4W 5%	1800911	28	
1	26	RES. 1.1K 1/4W 5%	1800345	21	
1	27	RES. 750 1/4W 5%	1804621	20	
2	28	RES. 170 1/4W 5%	1800318	19	
2	29	RES. 750 1/4W 5%	1800295	18	
1	30	RES. 100 1/4W 5%	1800229	17	
1	31	RESISTORS	1810450-0	16	
2	32	DIODE 1N750 .18V	1110899	25	
1	33	DIODE 1N750 3.3V	1100021	24	
1	34	DIODE 1N764 1.8V	1104886	23	
1	35	DIODE 1N901	1100962	12	
1	36	DIODE D670	1102162	11	
1	37	DIODE D664	1106636	10	
2	38	CAP. 100PF 100V 5% D.N.	1000026	9	
1	39	CAP. .10UF 35V 20% TANT	1002189	8	
1	40	CAP. .10UF 20V 10% TANT	1004918	7	
1	41	CAP. .10UF 20V 10% TANT	1004812	6	
28	42	CAP. .01UF 100V 20% DISC	1001610	5	
1	43	DIODE 01MOUNT BOARD	9009736	4	
1	44	NUMBER 100 ELEMENT	E-C-H7701-0-6	3	
1	45	ASST/SHILLING BOARD LAYOUT	E-M-H7701-0-5	2	
1	46	E-C COORDINATE BOARD LOCATION	E-C-H7701-0-4	1	
QTY	REP. DESIGNATION	DESCRIBE ITEM	DISC PART NO.	ITEM NO.	

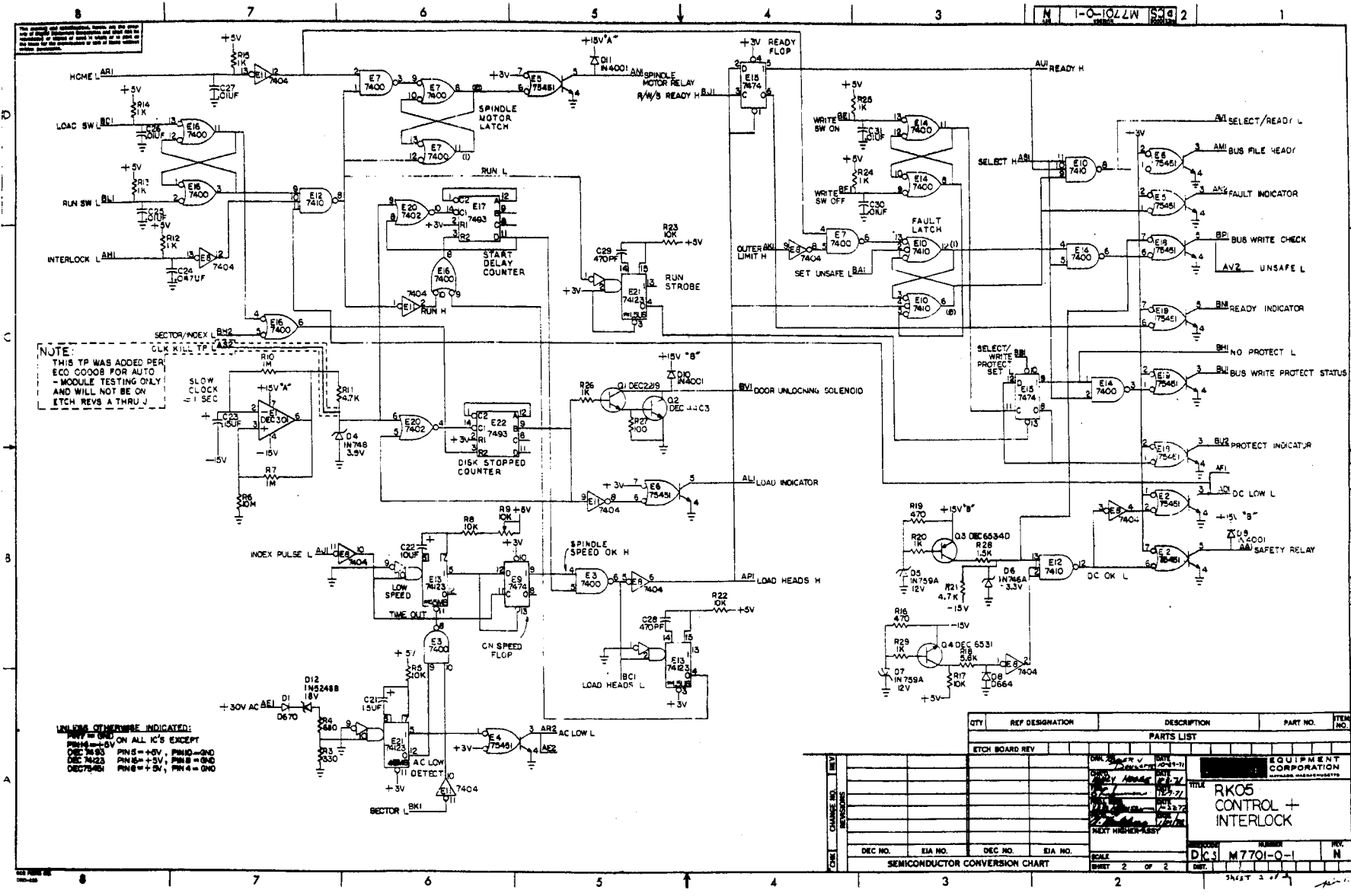
PARTS LIST

ETCH BOARD REV	K	DATE	BY	CHKD	APP'D	REV	NO.
IN748 3.9V	SAME	DEC6534D	MPS6534				
IN746A 3.3V	SAME	DEC44C3					
IN4001	SAME	IN759 S	SAME				
D670	IN3653						
D664	IN3606						
DEC6531	MPS6531						
DEC2219	2N2219						
DEC NO.	EIA NO.	DEC NO.	EIA NO.	SCALE	SHEET	OF	SHEETS

EQUIPMENT CORPORATION

DISK ENG. CONTROL + INTERLOCK

MODEL: DCS M7701-0-1



NOTE:
THIS TP WAS ADDED PER
ECO 00008 FOR AUTO
- MODULE TESTING ONLY
AND WILL NOT BE ON
ETCH REVS A THRU J

UNLESS OTHERWISE INDICATED:
PINS = GND ON ALL IC'S EXCEPT
DEC 7493 PINS = +5V, PIN 10 = GND
DEC 7423 PINS = +5V, PIN 8 = GND
DEC 7451 PINS = +5V, PIN 4 = GND

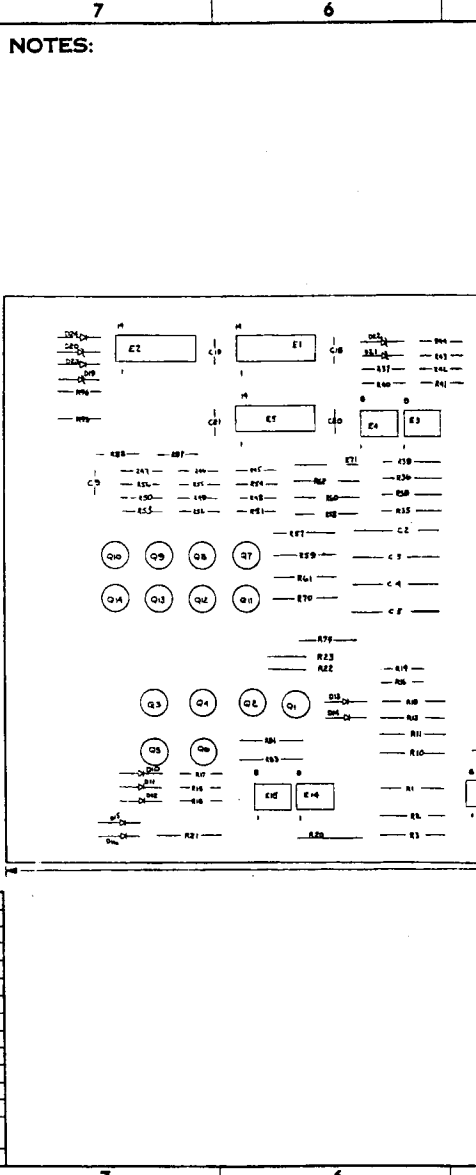
QTY	REF DESIGNATION	DESCRIPTION	PART NO.	ITEM NO.
PARTS LIST				
ETCH BOARD REV				
EQUIPMENT CORPORATION				
RKOS CONTROL + INTERLOCK				
DC3 M7701-0-1				
SEMICONDUCTOR CONVERSION CHART				
DEC NO.	EIA NO.	DEC NO.	EIA NO.	SCALE
				SHEET 2 OF 2

72741 SEE SHT 2
LM301 SEE SHT 2

IC TYPE QND -BY

QND AND BY ARE USUALLY PIN 7 AND 14 RESPECTIVELY EXCEPT AS STATED ABOVE

IC PIN LOCATIONS



NOTES:

8	B	Q1 THRU Q4	TRANSISTOR 2N5245	1509601	41	REF					
6	G	Q5 THRU Q10	TRANSISTOR DEC 6534D	1503609-00	50	REF					
1	I	E1	I.C. DEC 7404	1909686	57	REF					
1	I	E2	I.C. DEC 7403	1909987	58	1					
2	2	E3, E4	I.C. DEC 301	1910282	53	4	C2, C3, C4, C5				
2	1	E5	I.C. DEC 7400	1905575	54	1	C6				
10	10	E6 THRU E15	I.C. DEC 7474	1910298	55	1	C7				
*	*		EYELET #G3*-7	900673P	56	3	C8, C10, C14				
2	2		HANDLE, FLIP CHIP GREEN	9005337-01	57	11	C9, C11, C12, C13, C15 THRU D8				
A/A	A/A		GRIPLET	1210244-0	58	7	D1 THRU D4, D23 THRU D25				
1	-	R22	RES 200K, 1/4W, 1%	1305334	59	10	D5 THRU D14				
1	-	R23	RES 137K, 1/4W, 1%	1305442	60	2	D15, D16				
1	-	R18, R19	RES 3.09K, 1/4W, 1%	1305815	61	4	D19 THRU D22				
1	-	R24	RES 2.94K, 1/4W, 1%	1301951	62	7	R1, R15, R17, R46, R49, R50, R53				

QTY	REF. DESIGNATION	DESCRIPTION	PART NO.	ITEM NO.
1	A2	RES. 13.3K 1/4W 1% MF	1312545	15
1	A3	RES. 4.09K 1/8W 1% MF	1304855	16
1	A4	RES. 34.8K 1/8W 1% MF	1303156	17
1	A4	RES. 68.1K 1/8W 1% MF	1305232	18
1	A5	RES. 34.8K 1/4W 1% MF	1303156	19
1	A5	RES. 2.15K 1/8W 1% MF	1303155	20
1	A6	RES. 11.5K 1/8W 1% MF	1304415	21
1	A6	RES. 61.5K 1/8W 1% MF	1303155	22
1	A7	RES. 5.62K 1/4W 1% MF	1305128	23
1	A7	RES. 11.5K 1/8W 1% MF	1304415	24
1	A8	RES. 3.74K 1/8W 1%	1304543	25
1	A8	RES. 5.67K 1/8W 1%	1305128	26
5	A9, A57, A59, A61, A70	RES. 10K 1/8W 1% MF	1303152	27
12	A10, A12, A32, A33, A35, A36, A38, A39, A62, A64, A65, A67, A68, A69	RES. 19.4K 1/8W 1% MF	1304419	28
2	A12, A72	RES. 6.81K 1/8W 1% MF	1304670	29
2	A13, A14	RES. 4.64K 1/8W 1% MF	1304856	30
1	A16, A17, A43, A44, A45, A46, A51, A54, A60	RES. 1.5K 1/4W 5%	1300391	31
5	A18, A47, A50, A53, A56	RES. 3.9K 1/4W 5%	1300444	32
1	A20	RES. 220K 1/8W 1% MF	1305334	33
1	A21	RES. 3.83K 1/8W 1% MF	1304913	34
1	A22	RES. 100K 1/4W 5%	1302464	35
5	A23, A26, A41, A42, A63, A71	RES. 75K 1/4W 5%	1304851	36
5	A24, A64, A73, A74, A75	POT. 10K 3/4W 20%, 76 PAR	1304413-10	37
3	A31, A46, A60	POT. 2K 3/4W 10%, 76 PAR	1304413-08	38
3	A37, A40, A67	RES. 330 1/4W 5%	1301275	39
5	A38, A69, A62, A71, A92	RES. 511 1/8W 1% MF	1302471	40
1	A75	RES. 24.3K 1/8W 1% MF	1304418	41
2	A84, A85	RES. 0 1/2W 5%	1300168	42
1	A86	RES. 27 1/2W 10%	1304444	43
6	A89 THRU A114	RES. 22 1/4W 5%	1301949	44
1	A88	RES. 750 3/4W 5%	1301401	45
3	A25, A63, A77	RES. 1.96K 1/8W 1% MF	1304833	46
1	A74	RES. 1.47K 1/8W 1% MF	1305108	47
3	A34, A95, A96	RES. 10K 1/4W 5%	1300479	48

QTY	REF. DESIGNATION	DESCRIPTION	PART NO.	ITEM NO.
1	A1	RES. 10K 1/4W 5%	1300479	49
1	A2	RES. 10K 1/4W 5%	1300479	50
1	A3	RES. 10K 1/4W 5%	1300479	51
1	A4	RES. 10K 1/4W 5%	1300479	52
1	A5	RES. 10K 1/4W 5%	1300479	53
1	A6	RES. 10K 1/4W 5%	1300479	54
1	A7	RES. 10K 1/4W 5%	1300479	55
1	A8	RES. 10K 1/4W 5%	1300479	56
1	A9	RES. 10K 1/4W 5%	1300479	57
1	A10	RES. 10K 1/4W 5%	1300479	58
1	A11	RES. 10K 1/4W 5%	1300479	59
1	A12	RES. 10K 1/4W 5%	1300479	60
1	A13	RES. 10K 1/4W 5%	1300479	61
1	A14	RES. 10K 1/4W 5%	1300479	62
1	A15	RES. 10K 1/4W 5%	1300479	63
1	A16	RES. 10K 1/4W 5%	1300479	64
1	A17	RES. 10K 1/4W 5%	1300479	65
1	A18	RES. 10K 1/4W 5%	1300479	66
1	A19	RES. 10K 1/4W 5%	1300479	67
1	A20	RES. 10K 1/4W 5%	1300479	68
1	A21	RES. 10K 1/4W 5%	1300479	69
1	A22	RES. 10K 1/4W 5%	1300479	70
1	A23	RES. 10K 1/4W 5%	1300479	71
1	A24	RES. 10K 1/4W 5%	1300479	72
1	A25	RES. 10K 1/4W 5%	1300479	73
1	A26	RES. 10K 1/4W 5%	1300479	74
1	A27	RES. 10K 1/4W 5%	1300479	75
1	A28	RES. 10K 1/4W 5%	1300479	76
1	A29	RES. 10K 1/4W 5%	1300479	77
1	A30	RES. 10K 1/4W 5%	1300479	78
1	A31	RES. 10K 1/4W 5%	1300479	79
1	A32	RES. 10K 1/4W 5%	1300479	80
1	A33	RES. 10K 1/4W 5%	1300479	81
1	A34	RES. 10K 1/4W 5%	1300479	82
1	A35	RES. 10K 1/4W 5%	1300479	83
1	A36	RES. 10K 1/4W 5%	1300479	84
1	A37	RES. 10K 1/4W 5%	1300479	85
1	A38	RES. 10K 1/4W 5%	1300479	86
1	A39	RES. 10K 1/4W 5%	1300479	87
1	A40	RES. 10K 1/4W 5%	1300479	88
1	A41	RES. 10K 1/4W 5%	1300479	89
1	A42	RES. 10K 1/4W 5%	1300479	90
1	A43	RES. 10K 1/4W 5%	1300479	91
1	A44	RES. 10K 1/4W 5%	1300479	92
1	A45	RES. 10K 1/4W 5%	1300479	93
1	A46	RES. 10K 1/4W 5%	1300479	94
1	A47	RES. 10K 1/4W 5%	1300479	95
1	A48	RES. 10K 1/4W 5%	1300479	96
1	A49	RES. 10K 1/4W 5%	1300479	97
1	A50	RES. 10K 1/4W 5%	1300479	98
1	A51	RES. 10K 1/4W 5%	1300479	99
1	A52	RES. 10K 1/4W 5%	1300479	100

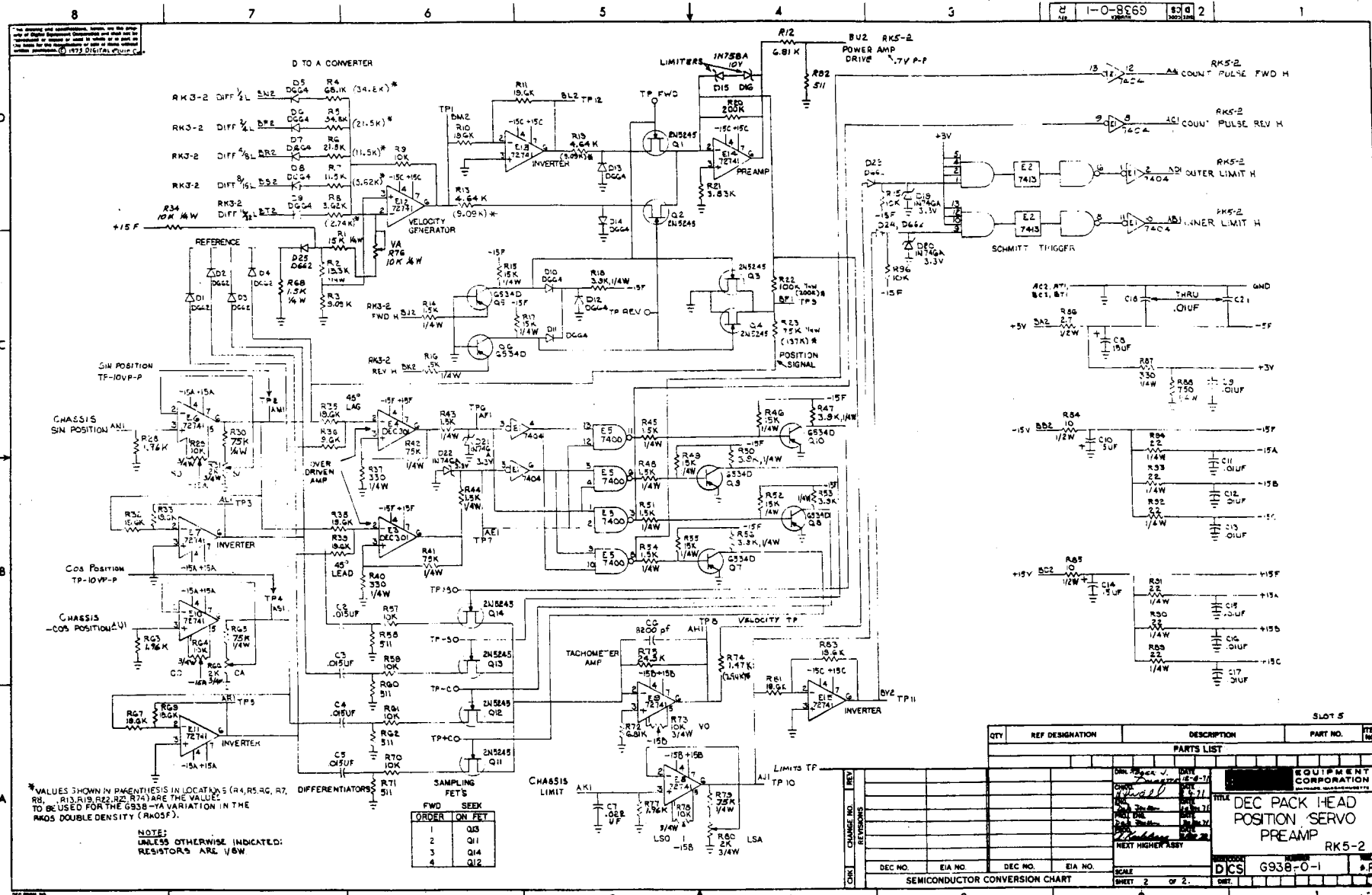
SEMICONDUCTOR CONVERSION CHART

65340	NONE
2N5245	
D662	1N645
D674	1N3609
1746A	SAME

DATE: 2-9-71
BY: J. DOUGLITE
CHECKED: J. DEVAL
DESIGNED: J. JENSEN
PROJ. ENG: J. JENSEN
A. PARLSBERG

TITLE: DEC PACK HEAD POSITION SERVO PREAMP RK5-1

SCALE: DCS
SHEET: 1 OF 2



VALUES SHOWN IN PARENTHESIS IN LOCATIONS (R4, R5, R6, R7, R8, R13, R15, R22, R23, R74) ARE THE VALUES TO BE USED FOR THE G938-0-A VARIATION IN THE RK05 DOUBLE DENSITY.

NOTE: UNLESS OTHERWISE INDICATED: RESISTORS ARE 1/8W

ORDER	ON FET
1	Q13
2	Q11
3	Q14
4	Q12

PARTS LIST				
QTY	REF DESIGNATION	DESCRIPTION	PART NO.	ITEM NO.

SEMICONDUCTOR CONVERSION CHART

DEC NO.	EIA NO.	DEC NO.	EIA NO.

SCALE: 2 OF 2

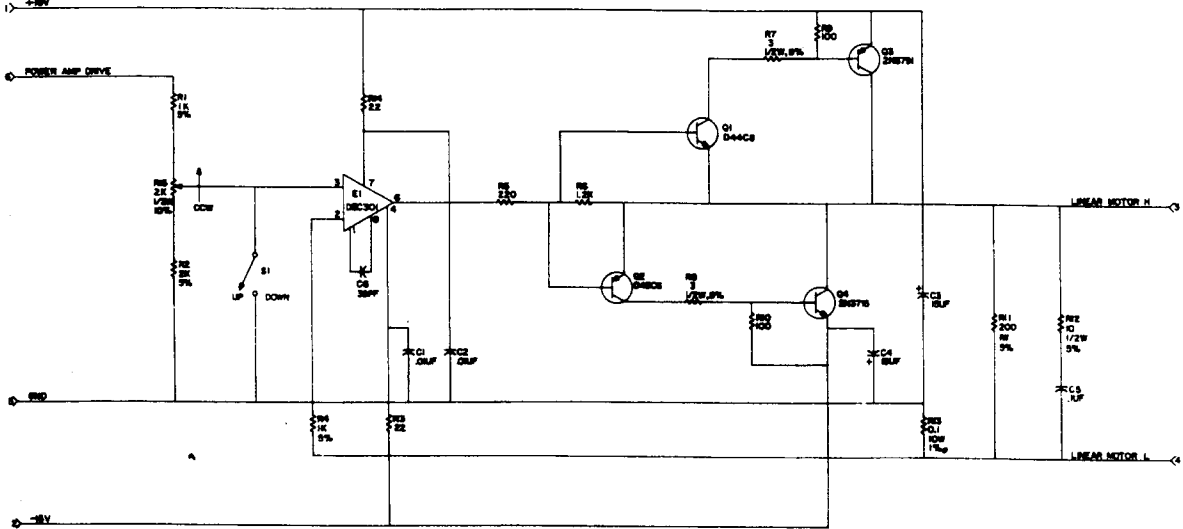
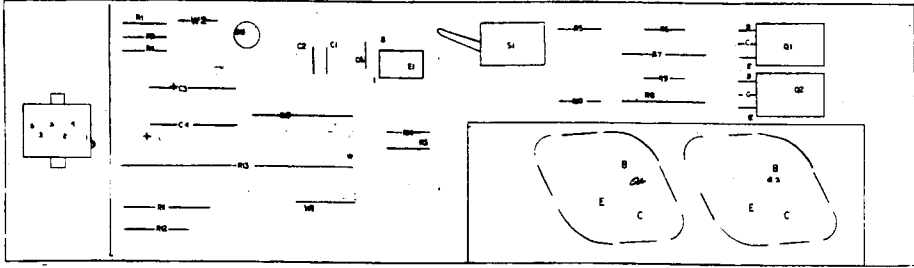
TITLE: DEC PACK HEAD POSITION SERVO PREAMP RK5-2

PROJECT: G938-0-1

DATE: []

G938-0-1

THIS DRAWING IS PROVIDED ONLY FOR INFORMATION PURPOSES. THE USER IS RESPONSIBLE FOR VERIFYING THE ACCURACY OF THE INFORMATION AND FOR THE PROTECTION OF HIS INTERESTS. THE USER IS ADVISED THAT THE INFORMATION IS NOT TO BE USED FOR ANY OTHER PURPOSES.



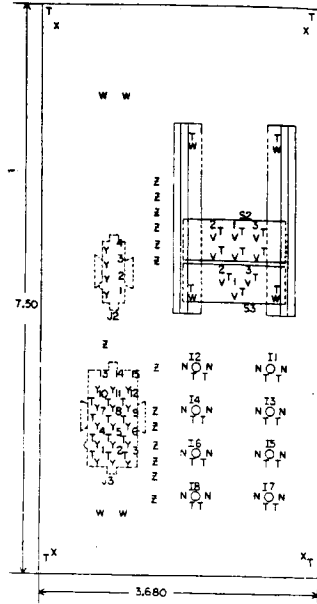
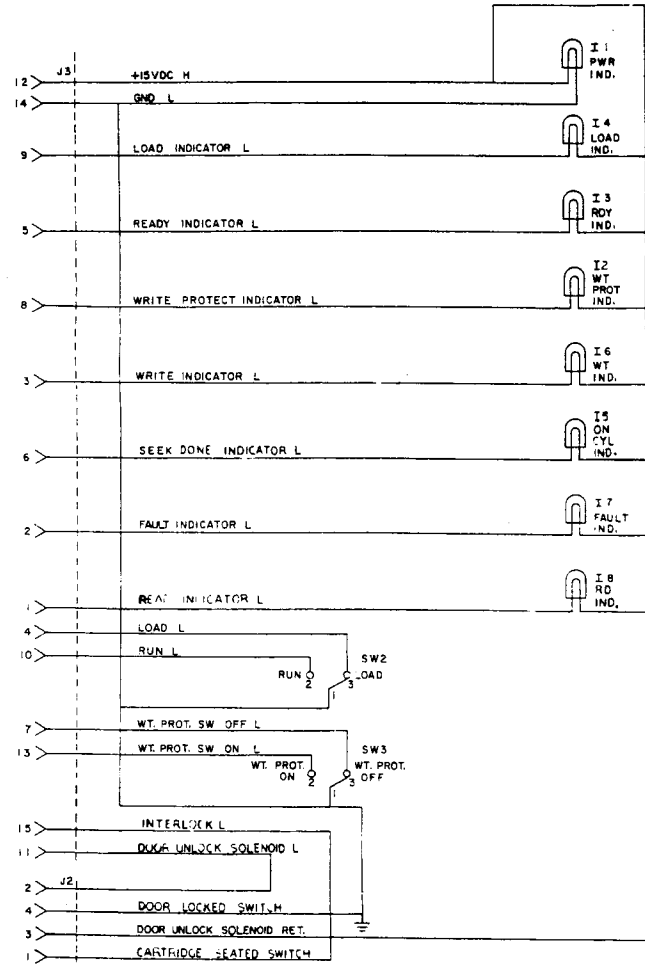
UNLESS OTHERWISE INDICATED:
RES. ARE 1/4W, 10%
RES IS A CURRENT SENSING RES.

Q1	2N3055	Q2	2N3055
R1	10K	R2	10K
R3	10K	R4	10K
R5	10K	R6	10K
R7	10K	R8	10K
R9	10K	R10	10K
C1	100	C2	100
C3	100	C4	100
C5	100	D1	1N4001
D2	1N4001	D3	1N4001
D4	1N4001		

TRANSISTOR & DIODE CONVERSION CHART				
QTY	DESCRIPTION	SEC	DA	DA
2	2N3055			
4	1N4001			

EQUIPMENT		SERVO PWR. AMP.	
COMPARISON	CS	NSA-D-1	

THIS SCHEMATIC IS FURNISHED ONLY FOR TEST AND MAINTENANCE PURPOSES. THE CIRCUITS ARE PROPRIETARY IN NATURE AND SHOULD BE TREATED ACCORDINGLY. COPYRIGHT 1971 BY DIGITAL EQUIPMENT CORPORATION



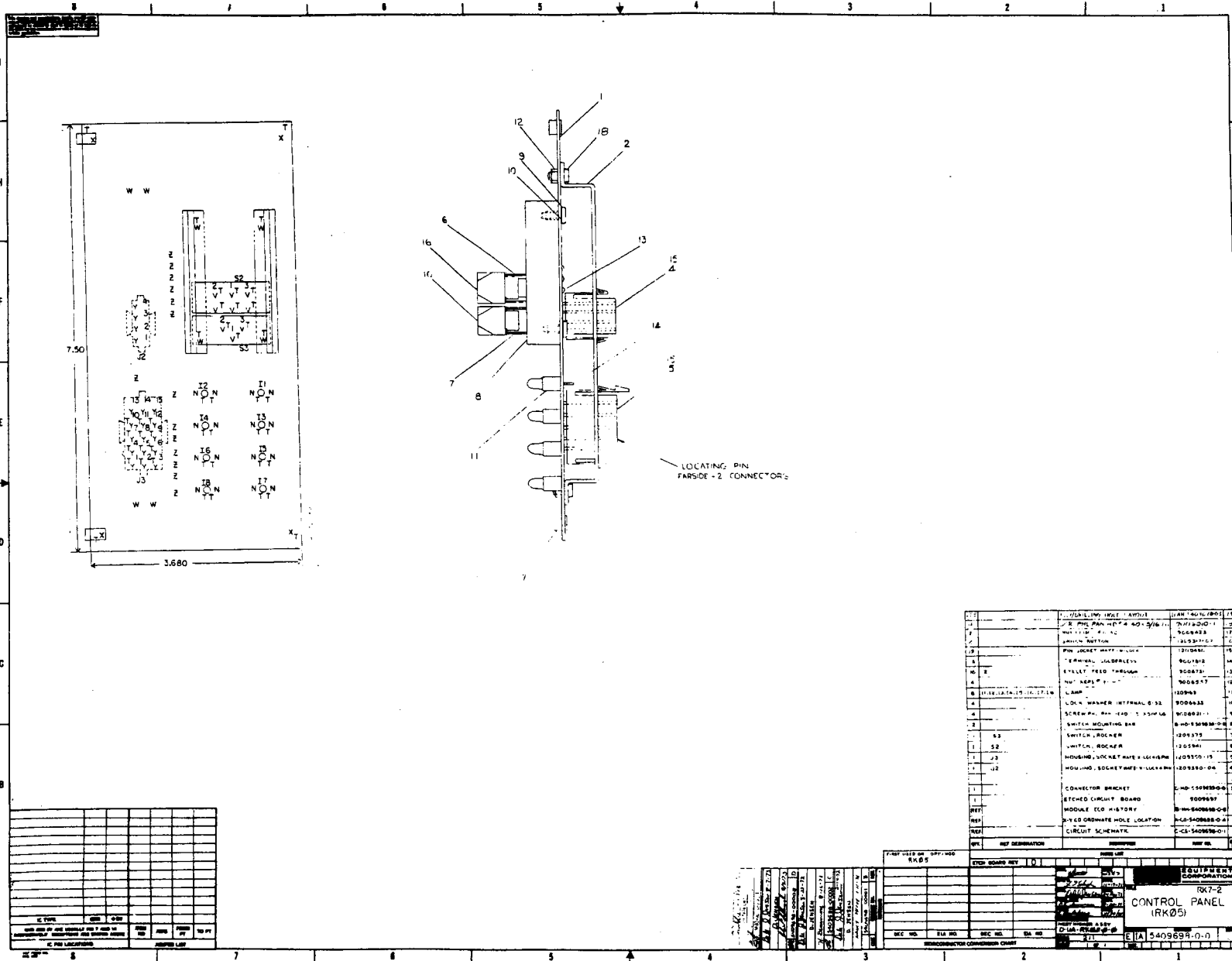
REV L
NUMBER 5409698-0-1
SHEET NO. 1 OF 1

REVISIONS	DATE	BY
1	11-20-71	S. COOPER
2		
3		
4		
5		
6		
7		
8		
9		
10		
11		
12		
13		
14		
15		
16		
17		
18		
19		
20		

DRN	DATE	TRANSISTOR & DIODE CONVERSION CHART			
S. COOPER	11-20-71	DEC	EIA	DEC	EIA
CHK'D	DATE				
ENG.	DATE				
PROD	DATE				

digital
EQUIPMENT CORPORATION
MAYNARD, MASSACHUSETTS

TITLE	RK05 CONTROL PANEL	REV	L
SIZE	C	CODE	CS
NUMBER	5409698-0-1	REV	E
PRINTED CIRCUIT REV.	D		



QTY	DESCRIPTION	UNIT	QTY	UNIT
1	PIN SOCKET MATING PLUG	1215A21	1	1
1	TERMINAL INSULATED	300792	1	1
1	STEEL FEED THROUGH	300470	1	1
1	NU KEYS E-1	300437	1	1
1	LAMP	109843	1	1
1	LOCK WALKER INTERNAL 0.32	300442	1	1
1	SCREW PH. PAN HEAD 1.5X10 L6	W03821	1	1
1	SWITCH MOUNTING BAR	8-HD-154982-04	1	1
1	SWITCH PLATE	100975	1	1
1	SWITCH ROCKER	100541	1	1
1	MOUNTING SOCKET BASE 1.6X4.8MM	100950-15	1	1
1	MOUNTING SOCKET WIRE LOCKWASH	100980-04	1	1
1	CONNECTOR BRACKET	8-HD-154982-06	1	1
1	ETCHED CIRCUIT BOARD	9009697	1	1
1	MODULE PCB HISTORY	8-HD-400660-00	1	1
1	COORDINATE HOLE LOCATION	LS-540866-01	1	1
1	CIRCUIT SCHEMATIC	SCS-540969-01	1	1

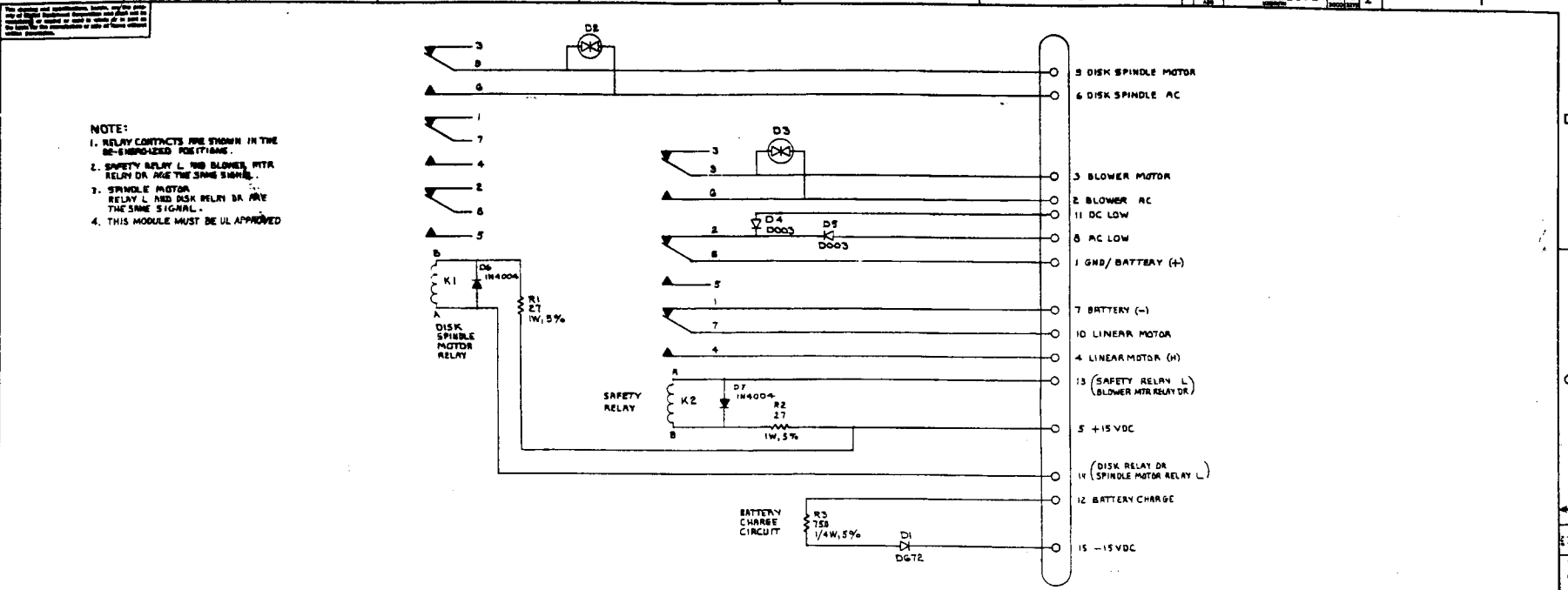
REV	DATE	DESCRIPTION

- 1. CONTROL PANEL
- 2. CIRCUIT BOARD
- 3. CIRCUIT SCHEMATIC
- 4. MODULE PCB HISTORY
- 5. COORDINATE HOLE LOCATION
- 6. SWITCH ROCKER
- 7. SWITCH PLATE
- 8. SWITCH MOUNTING BAR
- 9. LOCK WALKER INTERNAL
- 10. SCREW PH. PAN HEAD
- 11. MOUNTING SOCKET WIRE LOCKWASH
- 12. MOUNTING SOCKET BASE
- 13. STEEL FEED THROUGH
- 14. TERMINAL INSULATED
- 15. PIN SOCKET MATING PLUG
- 16. NU KEYS E-1
- 17. LAMP

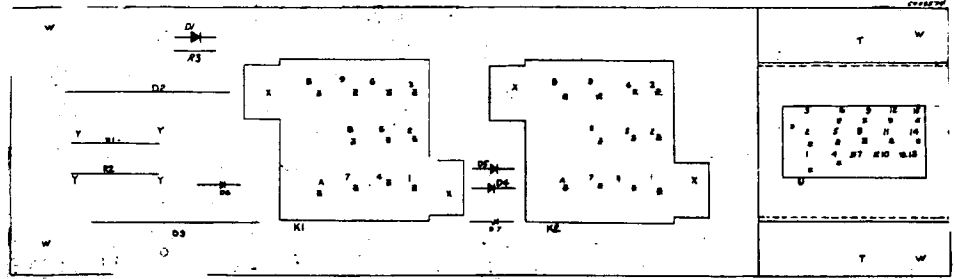
CONTROL PANEL (RK05)
 540969A.0.0

EQUIPMENT CORPORATION
 CONTROL PANEL (RK05)
 540969A.0.0

540969A.0.0
 540969A.0.0
 540969A.0.0
 540969A.0.0



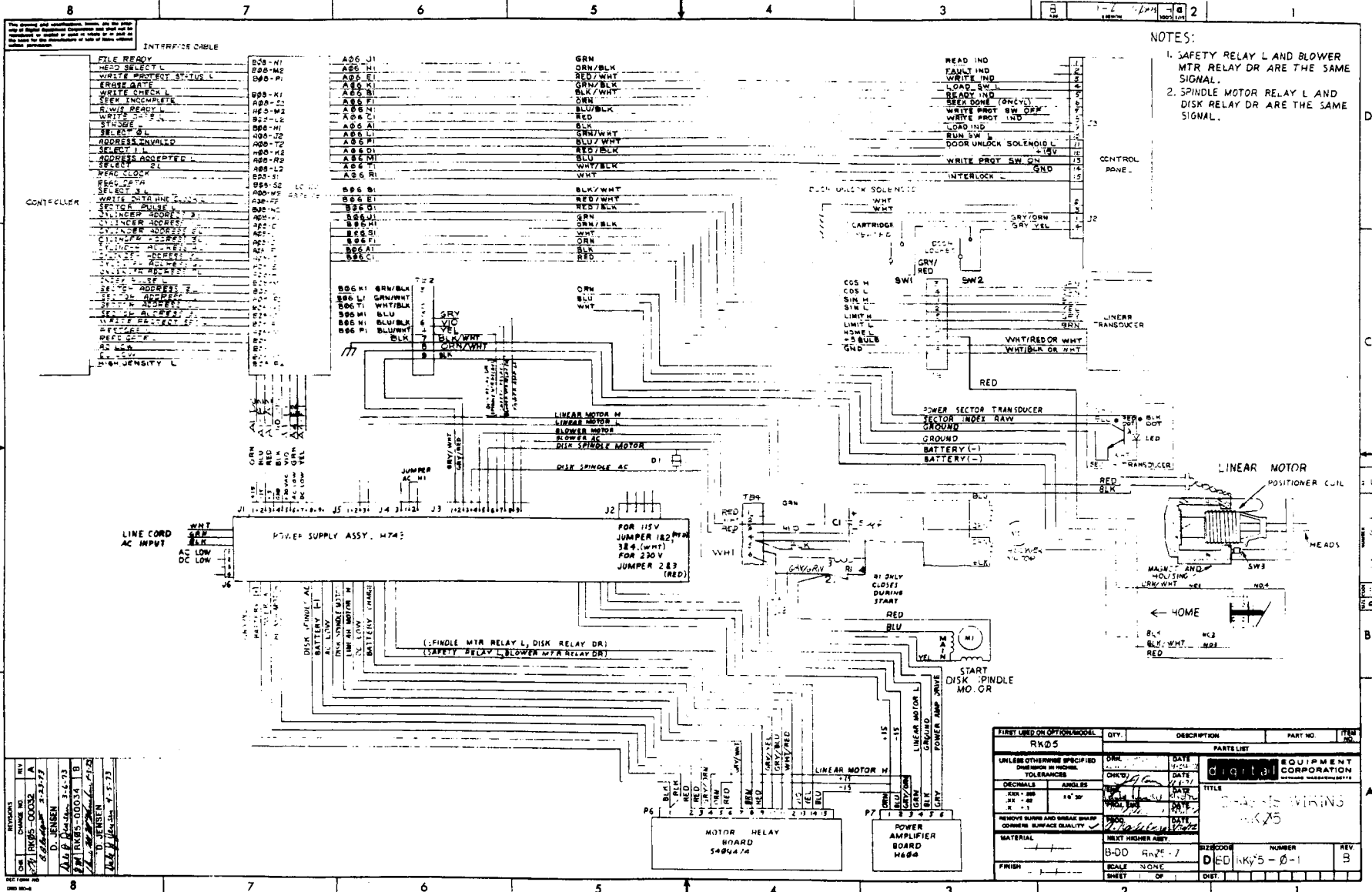
NOTE:
 1. RELAY CONTACTS ARE SHOWN IN THE DE-SHUNTED POSITION.
 2. SAFETY RELAY L AND BLOWER MTR RELAY DR ARE THE SAME SIGNAL.
 3. SPINDLE MOTOR RELAY L AND DISK RELAY DR ARE THE SAME SIGNAL.
 4. THIS MODULE MUST BE UL APPROVED



REVISIONS
 1. 10/17/72
 2. 11/1/72
 3. 11/1/72
 4. 11/1/72
 5. 11/1/72
 6. 11/1/72
 7. 11/1/72
 8. 11/1/72
 9. 11/1/72
 10. 11/1/72
 11. 11/1/72
 12. 11/1/72
 13. 11/1/72
 14. 11/1/72
 15. 11/1/72
 16. 11/1/72
 17. 11/1/72
 18. 11/1/72
 19. 11/1/72
 20. 11/1/72
 21. 11/1/72
 22. 11/1/72
 23. 11/1/72
 24. 11/1/72
 25. 11/1/72
 26. 11/1/72
 27. 11/1/72
 28. 11/1/72
 29. 11/1/72
 30. 11/1/72
 31. 11/1/72
 32. 11/1/72
 33. 11/1/72
 34. 11/1/72
 35. 11/1/72
 36. 11/1/72
 37. 11/1/72
 38. 11/1/72
 39. 11/1/72
 40. 11/1/72
 41. 11/1/72
 42. 11/1/72
 43. 11/1/72
 44. 11/1/72
 45. 11/1/72
 46. 11/1/72
 47. 11/1/72
 48. 11/1/72
 49. 11/1/72
 50. 11/1/72
 51. 11/1/72
 52. 11/1/72
 53. 11/1/72
 54. 11/1/72
 55. 11/1/72
 56. 11/1/72
 57. 11/1/72
 58. 11/1/72
 59. 11/1/72
 60. 11/1/72
 61. 11/1/72
 62. 11/1/72
 63. 11/1/72
 64. 11/1/72
 65. 11/1/72
 66. 11/1/72
 67. 11/1/72
 68. 11/1/72
 69. 11/1/72
 70. 11/1/72
 71. 11/1/72
 72. 11/1/72
 73. 11/1/72
 74. 11/1/72
 75. 11/1/72
 76. 11/1/72
 77. 11/1/72
 78. 11/1/72
 79. 11/1/72
 80. 11/1/72
 81. 11/1/72
 82. 11/1/72
 83. 11/1/72
 84. 11/1/72
 85. 11/1/72
 86. 11/1/72
 87. 11/1/72
 88. 11/1/72
 89. 11/1/72
 90. 11/1/72
 91. 11/1/72
 92. 11/1/72
 93. 11/1/72
 94. 11/1/72
 95. 11/1/72
 96. 11/1/72
 97. 11/1/72
 98. 11/1/72
 99. 11/1/72
 100. 11/1/72

QTY	REF DESIGNATION	DESCRIPTION	PART NO.	FIG. NO.
		PARTS LIST		
		ETCH BOARD REV F		
		EQUIPMENT CORPORATION		
		DEC PACK MOTOR RELAYS		
		NEXT NUMBER ASBY		
		SEMICONDUCTOR CONVERSION CHART		
		DEC NO. EIA NO. DEC NO. EIA NO.		
		DCS 54087A-0-1 H		

54087A-0-1 H



- NOTES:
1. SAFETY RELAY L AND BLOWER MTR RELAY DR ARE THE SAME SIGNAL.
 2. SPINDLE MOTOR RELAY L AND DISK RELAY DR ARE THE SAME SIGNAL.

REV	BY	DATE
1	AK	1-11-73
2	AK	2-13-73
3	AK	3-13-73
4	AK	4-13-73
5	AK	5-13-73
6	AK	6-13-73
7	AK	7-13-73
8	AK	8-13-73

FIRST USED ON OPTION/MODEL	QTY.	DESCRIPTION	PART NO.	TEST NO.
RRD5		PARTS LIST		
UNLESS OTHERWISE SPECIFIED DIMENSIONS IN INCHES				
TOLERANCES	FRAC.	DECIMALS	ANGLES	
MATERIAL				
FINISH				

DATE	BY	DATE	BY	DATE	BY
1-11-73	AK	2-13-73	AK	3-13-73	AK
4-13-73	AK	5-13-73	AK	6-13-73	AK
7-13-73	AK	8-13-73	AK		

DIGITAL EQUIPMENT CORPORATION
 TITLE: RR05 WINNS
 NUMBER: 8-00 RR05-7
 REV: 8
 SCALE: NONE
 SHEET: 1 OF 1

DIGITAL EQUIPMENT CORPORATION
MAYNARD, MASSACHUSETTS

ACCESSORY LIST

LEGEND

- D DOCUMENT
- DN DOCUMENT CHANGE NOTICE
- PA PAPER TAPE ASCII
- PB PAPER TAPE BINARY
- PM PAPER TAPE READ-IN-MODE

QUANTITY / VARIATION

MADE BY
DATE G. Schneider

CHECKED *[Signature]*
DATE 8/17/72

SECTION

ENG *[Signature]*
DATE 8/17/72

PROD *[Signature]*
DATE 8/17/72

ISSUED SECT.

ITEM NO.	DWG NO. / PART NO.	DESCRIPTION	FOR ALL		KIT CHECK	BY	DATE	INSTALLATION CHECK	
			FOR ALL	FOR ALL				BY	DATE
1	RK05-0	Customer Print Set (B-DD-RK05-0 Sheet one only)	1	1					
2	DEC-00-RK05-DA	MAINTENANCE MANUAL	1	1					
3	DEC-00-RK05-DA	Maintenance Manual	1	1					
4	BC 11A-6	Unibus Cable 6 feet	1	1					
5	2200007	Head Cleaning Kit	1	1					
6	3010350-00	Disk Cartridge 12 Sector	1	0					
7	3010350-02	Disk Cartridge 16 Sector	0	1					
8*	A-AD-7009276-Q-0	Mounting Hardware KIT	1	1					
9*	1209152-0-2 REF	Slide Chassis (Use set that was issued to Assy Line)	1	1					
NOTE: The following items are additionally required when unit is shipped in a rack.									
10	749691-1	Shipping Bracket (Left Hand)	1	1					
11	749691-2	Shipping Bracket (Right Hand)	1	1					
12**	3611382	Drive Identification Numbers	1	1					
*NOTE: If unit is shipped in a rack, Items 8 and 9 are mounted to the rack.									
**NOTE: Attach the drive identification number set to the instruction sheet #DEC-16-(379)-1094-N573 using transparent adhesive tape. Insert sheet behind front cover of maintenance manual									

TITLE DECpack Assembly	ASSY. NO. SHEET 1 OF 1	SIZE CODE A AL	NUMBER RK05-0-17	REV. E	ECO NO. RK05-00052
---------------------------	---------------------------	-------------------	---------------------	-----------	-----------------------

DRAWING DIRECTORY

CUSTOMER PRINT SET INDEX

THIS IS PRINT SET

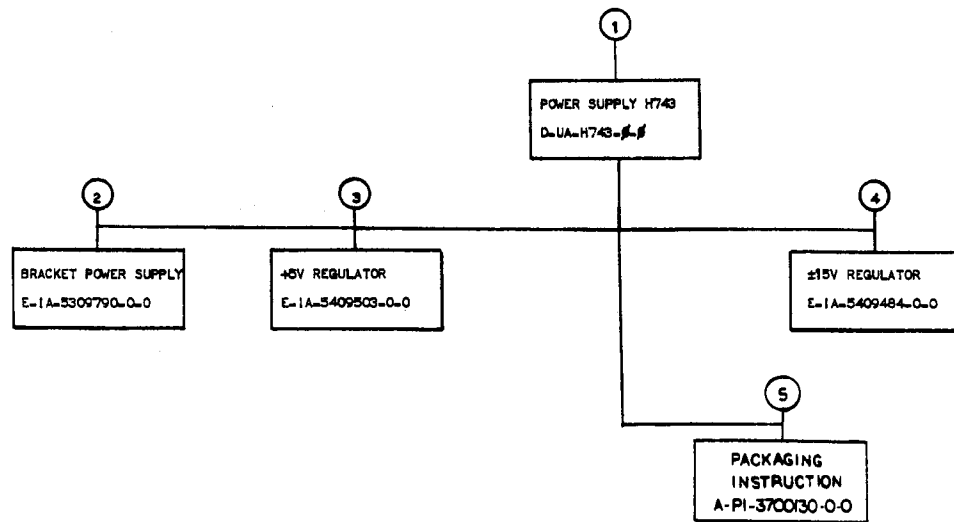
--	--	--	--	--	--	--

DRAWING DIRECTORY CIRCUIT SCHEMATIC 45V REGULATOR CIRCUIT SCHEMATIC 215V REGULATOR CIRCUIT SCHEMATIC	SEQUENCE B-DD-H743- 3 SHEET #1 ONLY D-CS-H743- 4 -1 E-1A-5409503-0-0 D-CS-5409503-0-1 E-1A-5409484-0-0 D-CS-5409484-0-1	SEQUENCE T MFG PRINTS POWER SUPPLY POWER SUPPLY (PL) DRAWING DIRECTORY PACKAGING INSTRUCTION	E-UA-H743-0-0 A-PL-H743-0-0 B-DD-H743- 3 A-PI-3700130-0-0
---	---	--	---

UNIT VARIATIONS		PRINT SET TYPE						
VARIATION	TITLE							
H743-AA	POWER SUPPLY 115V	X						
H743-AB	POWER SUPPLY 230V	X						

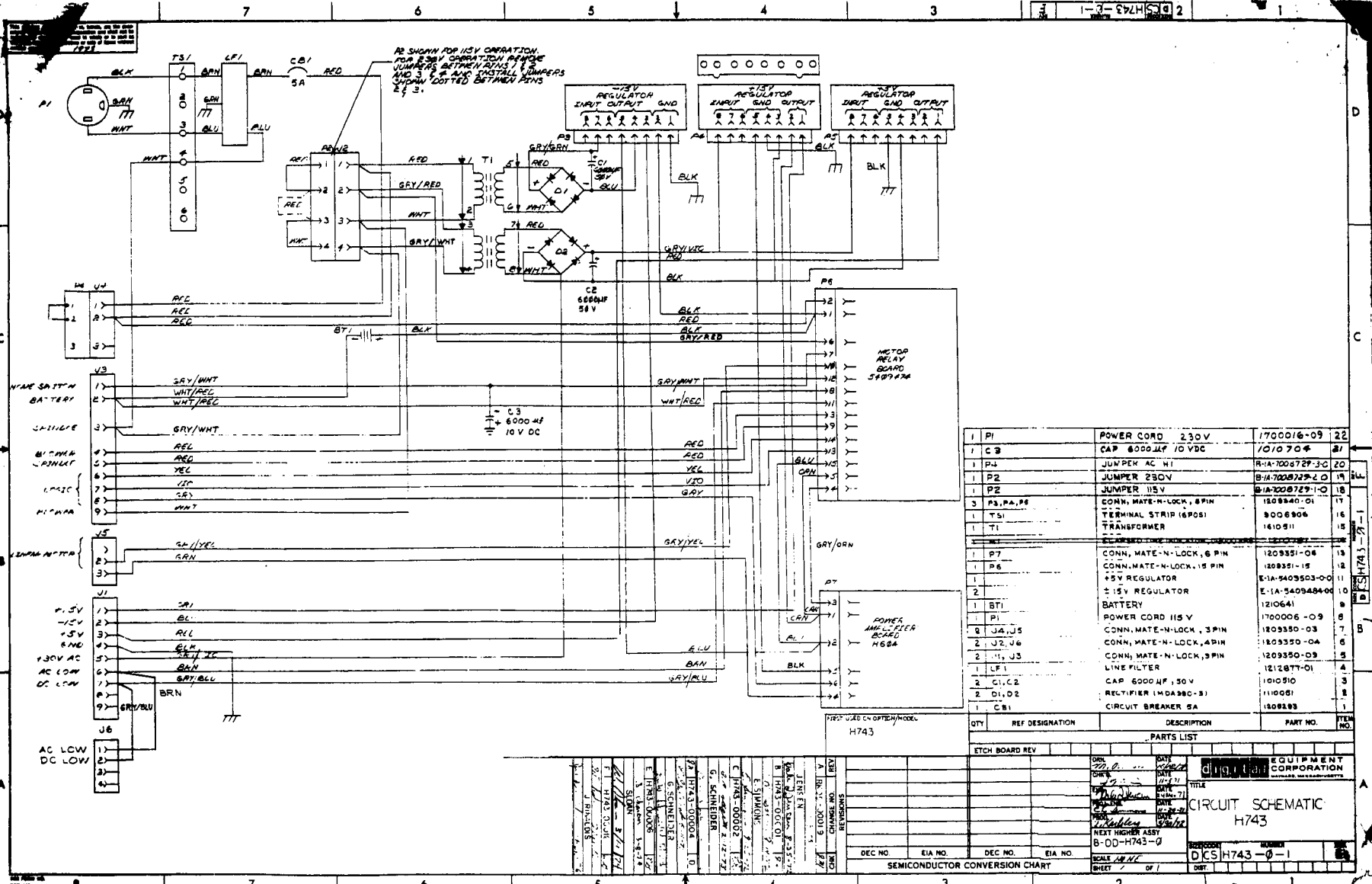
REVISIONS		CHG. NO.	REV

USED ON OPTION/MODEL	DRN. J. FLEMING	DATE 12/16/71	TITLE
RKES	CHK'D <i>[Signature]</i>	DATE 2-7-72	POWER SUPPLY (H743)
	PROJ. ENG. <i>[Signature]</i>	DATE 4/21/72	
	PROD. <i>[Signature]</i>	DATE 4/19/72	
	FIELD SERV. <i>[Signature]</i>	DATE	
SHEET 1 OF 3	SIZE CODE B DD	NUMBER H743- 3	REV S
	DIST 6		



TITLE	SHEET 2 OF 3	SIZE CODE	NUMBER	REV
POWER SUPPLY (H743)	3	B DD	H743- 1	S.

CUSTOMER PRINT SET						CUSTOMER PRINT SET											
	INFO SET	FIND NO.	DRAWING NO.	REV	NO OF SHT	DESCRIPTION	OPTION NO./FILE DATE		INFO SET	FIND NO.	DRAWING NO.	REV	NO OF SHT	DESCRIPTION	OPTION NO./FILE DATE		
X		1	D-CS-H743-0-1	F	1	CIRCUIT SCHEMATIC		X	1	E-UA-H743-0-0	S	2	POWER SUPPLY (H743)				
			E-AD-9305720-0-0		3	TESTER, POWER SUPPLY CABLE	H743-T	X		A-PL-H743-0-0	S	3	POWER SUPPLY (H743) (PL)				
										C-IA-5309772-0-0		1	BRACKET, RECTIFIER				
										E-IA-7008704-0-0		1	HARNESS, POWER SUPPLY				
										B-IA-7008729-0-0		1	JUMPER				
XX		3	E-IA-5409503-0-0	#	1	+5V REGULATOR											
X			D-CS-5409503-0-1	#	1	CIRCUIT SCHEMATIC											
										2	E-IA-5309790-0-0		1	BRACKET, POWER SUPPLY			
											B-MD-5309771-0-0		1	HOLDER, BATTERY			
X		4	E-IA-5409484-0-0	#	1	±15V REGULATOR											
X			D-CS-5409484-0-1	#	1	CIRCUIT SCHEMATIC				3	E-IA-5409503-0-0		2	+5V REGULATOR			
											K-CO-5409503-0-4		1	XY COORDINATE HOLE LOCATION			
											D-AH-5409503-0-5		1	ASSY/DRILLING HOLE LAYOUT			
											B-MH-5409503-0-6		1	MODULE ECO HISTORY			
											PC-5009502		1	P.C. LAYOUT			
			A-MD-9305978-0-0		1	CAPACITOR SETTING FIXTURE					D-IA-5309543-0-0		1	HEAT SINK			
			D-AD-9305970-0-0		1	LEAD CUTTING FIXTURE											
			D-AD-9305979-0-0		1	ASSY FIXTURE P.S. TRANSFORMER				4	E-IA-5409484-0-0		2	±15V REGULATOR			
											K-CO-5409484-0-4		1	XY COORDINATE HOLE LOCATION			
											D-AH-5409484-0-5		1	ASSY/DRILLING HOLE LAYOUT			
											B-MH-5409484-0-6		1	MODULE ECO HISTORY			
											PC-5009483		1	PC LAYOUT			
											D-IA-5309543-0-0		1	HEAT SINK			
										X	5	A-PI-3700130-0-0		2	PACKAGING INSTRUCTION		
												A-PS-9905444-0-0		2	REGULAR SLOTTED CARTON		
												A-PS-9905443-0-0		2	LAMINATED BUILDUP		
												A-PS-9905442-0-0		2	LAMINATED BUILDUP		
CUSTOMER PRINT SET						CUSTOMER PRINT SET						TITLE		SIZE CODE	NUMBER	REV	
X = PRINT OF DOCUMENT INCLUDED IN PRINT SET												POWER SUPPLY (H743)		B	DD	H743-0	S
C = INCLUDES ALL PRINTS INDICATED ON DOCUMENT																	
S = CONFIDENTIAL AUTHORIZED SIGNATURE REQUIRED																	
DRB 108												SHEET 3 OF 3					
DEC 16 (325)-1062-20-R972																	



QTY	REF DESIGNATION	DESCRIPTION	PART NO.	ITEM NO.
1	P1	POWER CORD 230V	1700016-09	22
1	C B	CAP 6000UF 10VDC	101070*	21
1	P4	JUMPER AC WI	R-1A-7002729-3-C	20
1	P2	JUMPER 250V	B-1A-7002729-2-Q	19
1	PZ	JUMPER 115V	B-1A-7002729-1-Q	18
3	P3, P4, P6	CONN. MATE-N-LOCK, 6 PIN	1209350-01	17
1	TS1	TERMINAL STRIP (6 POS)	3006806	16
1	T1	TRANSFORMER	1410511	15
E-1A-5409484-00				
1	P7	CONN. MATE-N-LOCK, 6 PIN	1209351-06	14
1	P6	CONN. MATE-N-LOCK, 15 PIN	1209351-15	13
1		+5V REGULATOR	E-1A-5409503-0-0	11
2		+15V REGULATOR	E-1A-5409484-0-0	10
1	BT1	BATTERY	1210641	9
1	P1	POWER CORD 115V	1700006-09	8
3	J4, J5	CONN. MATE-N-LOCK, 3 PIN	1209350-03	7
2	J2, J6	CONN. MATE-N-LOCK, 4 PIN	1209350-04	6
2	J1, J3	CONN. MATE-N-LOCK, 3 PIN	1209350-03	5
1	LF1	LINE FILTER	1212877-01	4
2	C1, C2	CAP 6000UF, 50V	1010510	3
2	D1, D2	RECTIFIER (MDS98C-3)	1100581	2
1	CB1	CIRCUIT BREAKER SA	1808293	1

TYPED OR ETD ON OPTIM MODEL
H743

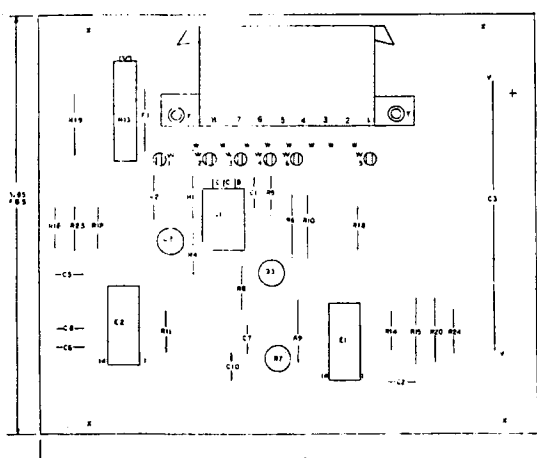
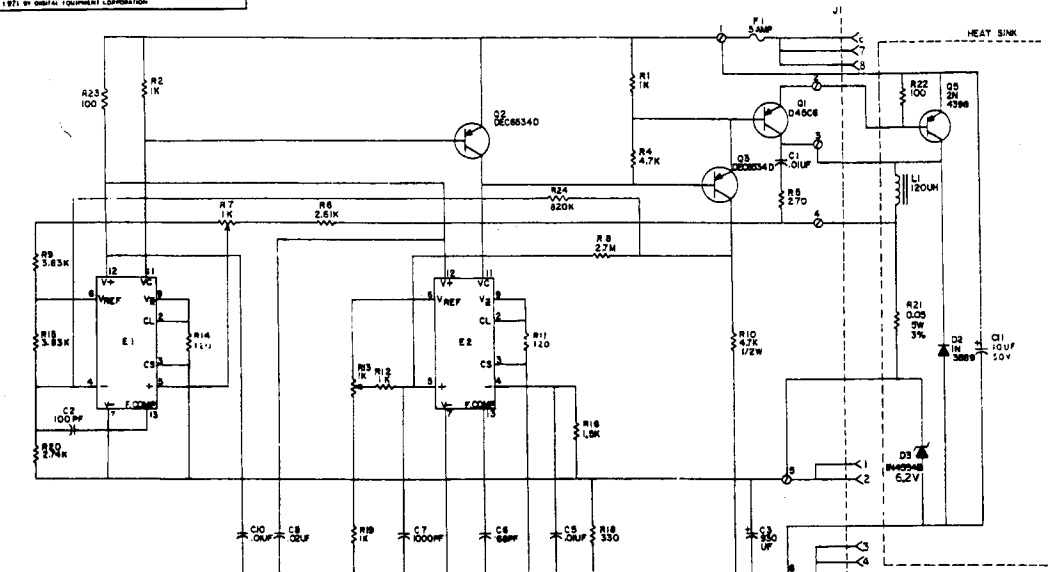
REV	BY	CHKD	DATE	DESCRIPTION
1				
2				
3				
4				
5				
6				
7				
8				
9				
10				
11				
12				
13				
14				
15				
16				
17				
18				
19				
20				
21				
22				
23				
24				
25				
26				
27				
28				
29				
30				

REV	BY	CHKD	DATE	DESCRIPTION
1				
2				
3				
4				
5				
6				
7				
8				
9				
10				
11				
12				
13				
14				
15				
16				
17				
18				
19				
20				
21				
22				
23				
24				
25				
26				
27				
28				
29				
30				

EQUIPMENT CORPORATION
CIRCUIT SCHEMATIC
H743
DCS H743-0-1

THIS SCHEMATIC IS FOR INFORMATION PURPOSES ONLY. THE SCHEMATIC IS NOT TO BE USED FOR REPAIR OR REWORK. THE SCHEMATIC IS THE PROPERTY OF THE EQUIPMENT CORPORATION. © JANUARY 1971 BY GENERAL EQUIPMENT CORPORATION

1-0-505609-01 D



QTY	REDESIGNATION	DESCRIPTION	PART NO.	PKG
70		WIRE #18AWG STRD (WHT)	9107160-59	
49		WIRE #18AWG STRD (GRY)	910-300-88	
68		WIRE #18AWG STRD (VIO)	9107160-77	
67		WIRE #18AWG STRD (BLU)	9107160-66	
66		WIRE #18AWG STRD (GRN)	9107160-55	
65		WIRE #18AWG STRD (YEL)	9107160-44	
64		WIRE #18AWG STRD (RED)	9107160-33	
63		WIRE #18AWG STRD (ORG)	9107160-22	
62		WIRE #18AWG STRD (BRN)	9107160-11	
61		WIRE #18AWG STRD (BLK)	9107160-00	
60		WIRE #18AWG STRD (SLV)	9107160-00	
59		WIRE #18AWG STRD (SLV)	9107160-00	
58		WIRE #18AWG STRD (SLV)	9107160-00	
57		WIRE #18AWG STRD (SLV)	9107160-00	
56		WIRE #18AWG STRD (SLV)	9107160-00	
55		WIRE #18AWG STRD (SLV)	9107160-00	
54		WIRE #18AWG STRD (SLV)	9107160-00	
53		WIRE #18AWG STRD (SLV)	9107160-00	
52		WIRE #18AWG STRD (SLV)	9107160-00	
51		WIRE #18AWG STRD (SLV)	9107160-00	
50		WIRE #18AWG STRD (SLV)	9107160-00	
49		WIRE #18AWG STRD (SLV)	9107160-00	
48		WIRE #18AWG STRD (SLV)	9107160-00	
47		WIRE #18AWG STRD (SLV)	9107160-00	
46		WIRE #18AWG STRD (SLV)	9107160-00	
45		WIRE #18AWG STRD (SLV)	9107160-00	
44		WIRE #18AWG STRD (SLV)	9107160-00	
43		WIRE #18AWG STRD (SLV)	9107160-00	
42		WIRE #18AWG STRD (SLV)	9107160-00	
41		WIRE #18AWG STRD (SLV)	9107160-00	
40		WIRE #18AWG STRD (SLV)	9107160-00	
39		WIRE #18AWG STRD (SLV)	9107160-00	
38		WIRE #18AWG STRD (SLV)	9107160-00	
37		WIRE #18AWG STRD (SLV)	9107160-00	
36		WIRE #18AWG STRD (SLV)	9107160-00	
35		WIRE #18AWG STRD (SLV)	9107160-00	
34		WIRE #18AWG STRD (SLV)	9107160-00	
33		WIRE #18AWG STRD (SLV)	9107160-00	
32		WIRE #18AWG STRD (SLV)	9107160-00	
31		WIRE #18AWG STRD (SLV)	9107160-00	
30		WIRE #18AWG STRD (SLV)	9107160-00	
29		WIRE #18AWG STRD (SLV)	9107160-00	
28		WIRE #18AWG STRD (SLV)	9107160-00	
27		WIRE #18AWG STRD (SLV)	9107160-00	
26		WIRE #18AWG STRD (SLV)	9107160-00	
25		WIRE #18AWG STRD (SLV)	9107160-00	
24		WIRE #18AWG STRD (SLV)	9107160-00	
23		WIRE #18AWG STRD (SLV)	9107160-00	
22		WIRE #18AWG STRD (SLV)	9107160-00	
21		WIRE #18AWG STRD (SLV)	9107160-00	
20		WIRE #18AWG STRD (SLV)	9107160-00	
19		WIRE #18AWG STRD (SLV)	9107160-00	
18		WIRE #18AWG STRD (SLV)	9107160-00	
17		WIRE #18AWG STRD (SLV)	9107160-00	
16		WIRE #18AWG STRD (SLV)	9107160-00	
15		WIRE #18AWG STRD (SLV)	9107160-00	
14		WIRE #18AWG STRD (SLV)	9107160-00	
13		WIRE #18AWG STRD (SLV)	9107160-00	
12		WIRE #18AWG STRD (SLV)	9107160-00	
11		WIRE #18AWG STRD (SLV)	9107160-00	
10		WIRE #18AWG STRD (SLV)	9107160-00	
9		WIRE #18AWG STRD (SLV)	9107160-00	
8		WIRE #18AWG STRD (SLV)	9107160-00	
7		WIRE #18AWG STRD (SLV)	9107160-00	
6		WIRE #18AWG STRD (SLV)	9107160-00	
5		WIRE #18AWG STRD (SLV)	9107160-00	
4		WIRE #18AWG STRD (SLV)	9107160-00	
3		WIRE #18AWG STRD (SLV)	9107160-00	
2		WIRE #18AWG STRD (SLV)	9107160-00	
1		WIRE #18AWG STRD (SLV)	9107160-00	

TRANSISTOR & DIODE CONNECTION CHART

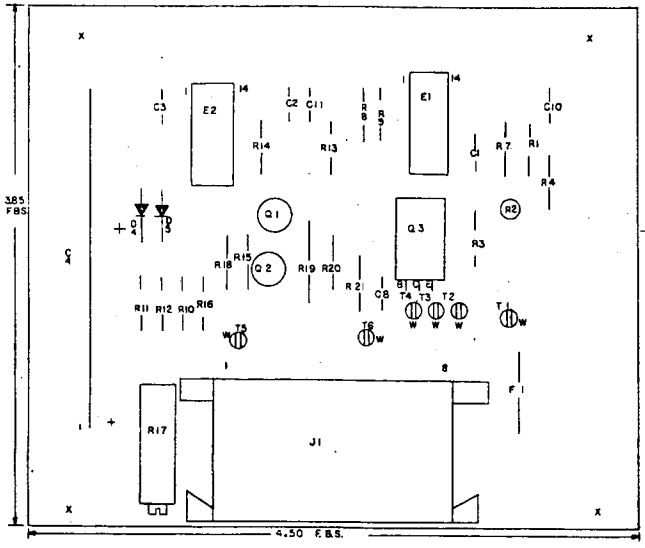
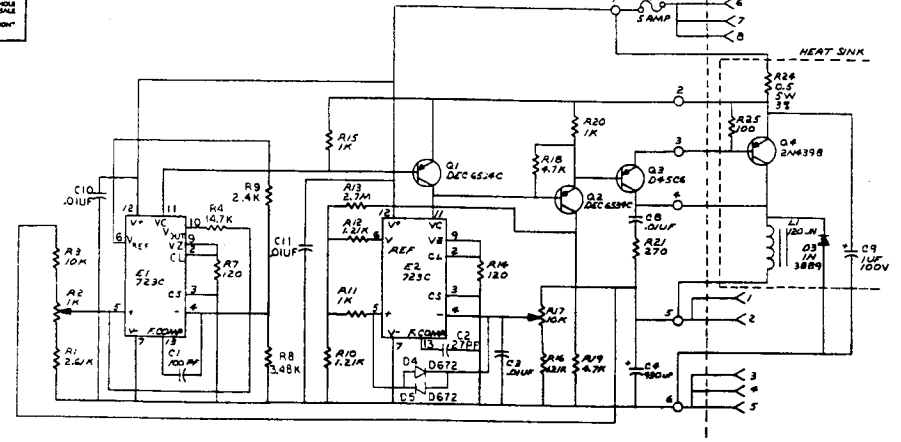
TRANSISTOR	DIODE	CONNECTION
Q1	D1	...
Q2	D2	...
Q3	D3	...
Q4	D4	...
Q5	D5	...
Q6	D6	...
Q7	D7	...
Q8	D8	...

5V VOLT REGULATOR

EQUIPMENT CORPORATION

THIS DRAWING AND OPERATIONS MANUAL ARE THE PROPERTY OF DIGITAL EQUIPMENT CORPORATION AND SHALL BE KEPT IN CONFIDENCE OR CONSIDERED UNCLASSIFIED IN PART AS THE BASIS FOR THE MANUFACTURE OR SALE OF THIS PRODUCT WITHOUT WRITTEN PERMISSION. COPYRIGHT © DIGITAL EQUIPMENT CORPORATION

X 1-C-Top-CFG 2



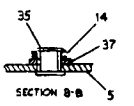
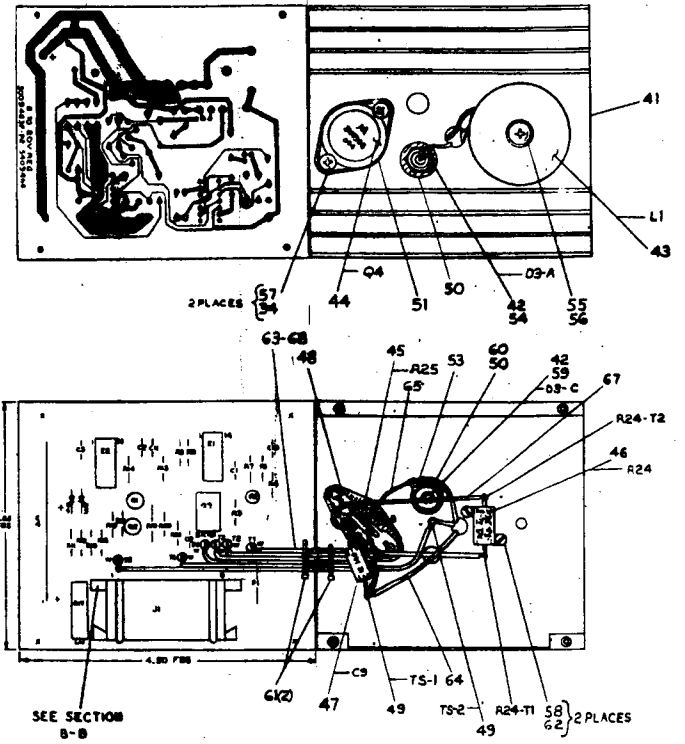
1	WASHER LOCK SPRING	9001801	10
2	WIRE 1/8 AWG (YEL)	907360-99	1
3	WIRE 1/8 AWG (GR)	907360-88	1
4	WIRE 1/8 AWG (RD)	907360-77	1
5	WIRE 1/8 AWG (BL)	907360-66	1
6	WIRE 1/8 AWG (W)	907360-55	1
7	WIRE 1/8 AWG (YEL)	907360-44	1
8	INTERNAL LOCK WASHER	900663	1
9	TIE WIRE	900103	1
10	WASHER PLAT 3/16	900666	1
11	7/16-32 X 1/2 SCREW	900664	1
12	2/54 X 3/8 SCREW	900665	1
13	6/32 X 5/8 PAN HD SCREW	900667	1
14	10-32 X 1/2 PAN HD SCREW	900673	1
15	90 INTERNAL LOCK WASHER	900663	1
16	BUSHING (DIODE)	900944	1
17	SOLDER LUG	900945	1
18	7/8-30 X 3/4 SELF TAPPING SCREW	900947	1
19	THERMAL INSULATOR	900948	1
20	THERMAL INSULATOR	900949	1
21	STAND OFF (STUD TYPE)	900950	1
22	TRANSISTOR SOCKET	900951	1
23	TRANSISTOR	900952	1
24	RES 0.5 3% 5W	100953	1
25	RES 100 5% 1/4W	100954	1
26	TRANSISTOR 2N439	100955	1
27	120OH CHOLE	100956	1
28	DIODE 1N389	110957	1
29	HEAT SINK	D-2A-389933-0	1
30	SPIT LUGS	900673	1
31	THERMAL COMPOUND	900674	1
32	FUSE 5 A 10S	100675	1
33	WASHER NYLON	900676	1
34	CONNECTOR PINS	100677	1
35	EYELET	700678	1
36	WASHER INT 700TH #6	700679	1
37	DIODE REGULATOR 25	100680	1
38	TRANSISTOR 2N439	100681	1
39	TRANSISTOR DEC 6534C	100682	1
40	RES 270 1/2W 5%	100683	1
41	RES 4.7K 1/2W 5%	100684	1
42	RES 6.7K 1/2W 5%	100685	1
43	RES VARIABLE 10K 3/2W 10%	100686	1
44	RES 2.7M 1/2W 5%	100687	1
45	RES 1/2W 5%	100688	1
46	RES 1.2K 1/2W 5% MF	100689	1
47	RES 3.6K 1/2W 5% MF	100690	1
48	RES 120 1/2W 5%	100691	1
49	RES 2.4K 1/2W 5%	100692	1
50	RES 14.7K 1/2W 5% MF	100693	1
51	RES 10K 1/2W 5% MF	100694	1
52	RES VARIABLE 1K 2W	100695	1
53	RES 2.6K 1/2W 5% MF	100696	1
54	AMP 5 PIN CONNECTOR (MOUNTING)	100697	1
55	DIODE D672	1105275	1
56			1
57			1
58			1
59			1
60			1
61			1
62			1
63			1
64			1
65			1
66			1
67			1
68			1
69			1
70			1
71			1
72			1
73			1
74			1
75			1
76			1
77			1
78			1
79			1
80			1
81			1
82			1
83			1
84			1
85			1
86			1
87			1
88			1
89			1
90			1
91			1
92			1
93			1
94			1
95			1
96			1
97			1
98			1
99			1
100			1

REV	DESCRIPTION	DATE
1	INITIAL	11/1/73
2	REVISED	11/1/73
3	REVISED	11/1/73
4	REVISED	11/1/73
5	REVISED	11/1/73

TITLE: 5 TO 20V REGULATOR
 SHEET: 1 OF 1
 Dwg No: 5409484-0-1
 Rev: K

WIRE TABLE					EXTERNAL COMPONENTS									
ITEM NO.	AWG	COLOR	LENGTH INCHES	STRIP LENGTH X	STRIP LENGTH Y	CONNECTIONS FROM	CONNECTIONS TO	ITEM NO.	LENGTH	DESCRIPTION	POL.	CONNECTIONS FROM	CONNECTIONS TO	POL.
43	—	BLK	2 1/8	—	1/8	L1	TS-1	43	RES	RES 1/4W 5% (R25)	—	Q4-E	Q4-B	—
43	—	BLK	2 1/8	—	1/8	L1	TS-2	47	RES	RES 1/4W 5% (R25)	—	Q4-E	TS-1	—
45	18	BLU	2 1/4	1/2	1/2	Q4-C	R24-T2							
47	18	GRY	3 5/8	1/2	1/2	Q4-E	R24-T2							
64	18	GRN	4 1/2	1/2	1/2	Q4-ANODE	TS-1							
63	18	WHT	3 1/8	1/2	1/2	SPLIT LWR	R24-T1							
67	18	GRY	4 7/8	1/2	1/2	Q4-E	Q4-E							
66	18	VIO	3 7/8	1/2	1/2	Q4-E	Q4-E							
65	18	BLU	3 7/8	1/2	1/2	Q4-E	Q4-E							
62	18	GRN	5 7/8	1/2	1/2	Q4-E	TS-1							
63	18	YEL	5 7/8	1/2	1/2	SPLIT LWR	TS-E							

SEE NOTE 5



- NOTES:
1. R17 IS USED FOR OUTPUT VOLTAGE ADJUSTMENT. R2 IS USED FOR OUTPUT POWER ADJUSTMENT.
 2. CUT LEADS OF RES. (R25) SO THERE IS 3/8" OF A LEAD LEFT AT BOTH ENDS. $\frac{3}{8}$ "
 3. CUT LEADS OF CAP.(C9) SO THERE IS 1/2" OF A LEAD LEFT AT BOTH ENDS. $\frac{1}{2}$ "
 4. THERMAL COMPOUND (ITEM #39) IS TO BE APPLIED TO BOTH SIDES OF ALL THERMAL INSULATORS (ITEM #50-51) BOTH SIDES OF EACH INSULATOR SHOULD BE COMPLETELY COVERED, LEAVING NO VOIDS WHEN INSTALLED. CARE MUST BE EXERCISED SO THAT NO EXTRA COMPOUND INTERFERES WITH ANY ELECTRICAL CONNECTION MADE TO ANY DEVICE.
 5. WHEN ASSEMBLING THE WIRES FROM THE CIRCUIT BOARD TO THE HEAT SINK, PLACE THE MODULE AGAINST THE HEAT SINK. WIRE AS SHOWN BY THE WIRE LIST AND MAKE A SERVICE LOOP AT THE CONNECTIONS ON THE HEAT SINK TO TAKE UP ANY EXCESS WIRE THAT MIGHT BE AVAILABLE.

5409484-0-0 K

QTY	REF DESIGNATION	DESCRIPTION	PART NO.	ITEM NO.
		PARTS LIST		
		ETCH BOARD REV		
		T. O'NEILL		
		R. FLEMING		
		P. SYMONS		
		P. SYMONS		
		P. FAZL		
		REPT NUMBER 8457		
		D-UA-H737-0-0		
		DATE	NONE	
		TEST		


8 TO 20V
REGULATOR

5409484-0-0 K

SEMICONDUCTOR CONVERSION CHART

DRWG NO	REVLTR
K-WL-RK05-0-3	C

REV LTR	ECO NO	DATE	ENG
A	RK05-00014	7/72	BJ
B	RK05-00031	2/73	BJ
C	RK05-00005	4/76	MLC

DRAWN <i>RE Hallen</i>	DATE 11/8/71	 digital EQUIPMENT CORPORATION MAYNARD, MASSACHUSETTS	TITLE WIRE LIST (RK05)		
CHECKED <i>J. Brown</i>	DATE 11-9-71		FOR TAPE* FILE*		
ENG <i>D. Jensen</i>	DATE 24 Nov 71		ASSY NO D-AD-7008696-0-0	SIZE CODE K WL	DWG. NO. RK05-0-3
PROJ ENG <i>EL Johnson</i>	DATE 11-24-71		SCALE NONE	SHEET 1 OF 1	DIST.
PROD <i>Alan Kachubay</i>	DATE 1/29/71				
				REV LTR C	

PKAS,C RIN NAME	APP288,V34(62)-1 31-JUL-75					2-JUN-76		PAGE 5		RIN NUMBER		
	L/P	PIN NAME	ORDER PIN	RAY - ORDFR	Q	ORAN OPT	PV RG Y	X	Z		RE-MARKS	FLAG
GND 26		A7CC7		1-21 *							2-1/8	47
GND 26		A66T1		1-22 *							1-2/8	47
GND 26		A66C2		1-23 *			025-3				0-4/8	47
GND 26		A66C1		1-24 *			025-3				0-4/8	47
GND 26		A66E1		1-25 *			025-9				0-5/8	47
GND 26		A66T1		1-26 *			025-9				1-4/8	47
GND 26		A66T1		1-27 *			025-3				0-1/8	47
GND 26		A66S1		1-28 *			025-9				0-1/8	47
GND 26				1							1-2/8	47
GND 27		A67R2		1-29 *							0-1/8	48
GND 27		A67C2		1-32 *							1-5/8	48
GND 27		A67H1		1-33 *							0-1/8	48
GND 27		A67P1		1-34 *							0-1/8	48
GND 27		A67R1		1-35 *							0-1/8	48
GND 27		A67S1		1-36 *							0-1/8	48
GND 27		A67T1		1-37 *							0-3/8	48
GND 27		A67V1		1-38 *							1-3/8	48
GND 27		A67W1		1-39 *							0-1/8	48
GND 27		A67C2		1-40 *							0-1/8	48
GND 27		A67D1		1-41 *							0-1/8	48
GND 27		A67E1		1-42 *							1-7/8	48
GND 27		A67T1		1-43 *							0-4/8	48
GND 27		A67V2		1-44 *							0-7/8	48
GND 27				1							0-7/8	48
GND 28		A68R2		1-45 *							0-1/8	49
GND 28		A68C2		1-42 *							1-5/8	49
GND 28		A68R1		1-41 *							0-1/8	49
GND 28		A68P1		1-46 *							0-1/8	49
GND 28		A68R1		1-45 *							0-1/8	49
GND 28		A68S1		1-46 *							0-1/8	49
GND 28		A68T1		1-47 *							0-1/8	49
GND 28		A68V1		1-48 *							1-3/8	49
GND 28		A68W1		1-49 *							0-1/8	49
GND 28		A68R2		1-50 *							0-1/8	49
GND 28		A68C2		1-49 *							0-1/8	49
GND 28		A68D1		1-51 *							0-1/8	49
GND 28		A68E1		1-52 *							1-7/8	49
GND 28		A68T1		1-53 *							0-4/8	49
GND 28		A68V2		1-54 *							0-7/8	49
GND 28				1							0-7/8	49
GOOD STROPE	L	A62F1		1-41 *			025-5				1-1/8	50
GOOD STROPE	L	A62D1		1-42 *			025-5				1-1/8	50
GOOD STROPE	L			1							1-1/8	50
HEAD SELECT	L	A61P1		1-41 *			025-1				0-2/8	51
HEAD SELECT	L	A61M2		1-42 *			025-1				1	51
HEAD SELECT	L	A61R2		1-43 *			025-1				0-2/8	51
HEAD SELECT	L			1							0-2/8	51
HIGH DENSITY	L	A61R2		1-41 *			025-4				0-3/8	52
HIGH DENSITY	L	A61P2		1-42 *			025-4				1	52
HIGH DENSITY	L	A61R2		1-43 *			025-4				0-3/8	52
HIGH DENSITY	L			1							0-3/8	52

PKAS,C RIN NAME	APP288,V34(62)-1 31-JUL-75					2-JUN-76		PAGE 6		RIN NUMBER		
	L/P	PIN NAME	ORDER PIN	RAY - ORDFR	Q	ORAN OPT	PV RG Y	X	Z		RE-MARKS	FLAG
HOME	L	A61R1		1-21 *			025-7				2-1/8	53
HOME	L	A61R1		1-22 *			025-7				2-3/8	53
HOME	L	A61F1		1-23 *			025-7				0-4/8	53
HOME	L			1							0-4/8	53
INDEX PULSE	L	A62R2		1-41 *			025-3				1-4/8	54
INDEX PULSE	L	A64J1		1-42 *			025-3				1-4/8	54
INDEX PULSE	L			1							1-4/8	54
INDEX/SECTOR	L	A62D1		1-41 *			025-5				1-7/8	55
INDEX/SECTOR	L	A64H2		1-42 *			025-5				1-7/8	55
INDEX/SECTOR	L			1							1-7/8	55
INVER LIMIT	H	A65R1		1-41 *			025-2				0-3/8	56
INVER LIMIT	H	A63D1		1-42 *			025-2				2-1/8	56
INVER LIMIT	H	A62J1		1-43 *			025-2				0-6/8	56
INVER LIMIT	H			1							0-6/8	56
INTERLOCK	L	A64H1		1-41 *			025-7				1-7/8	57
INTERLOCK	L	A66R1		1-42 *			025-7				1-7/8	57
INTERLOCK	L			1							1-7/8	57
LIMIT	H	A65R1		1-41 *			025-9				0-3/8	58
LIMIT	H	A66R1		1-42 *			025-9				0-3/8	58
LIMIT	H			1							0-3/8	58
LOAD HEADS	L	A63C1		1-41 *			025-6				1	59
LOAD HEADS	L	A64C1		1-42 *			025-6				1-2/8	59
LOAD HEADS	L			1							1-2/8	59
LOAD IND	H	A61H1		1-21 *			025-8				1-7/8	60
LOAD IND	H	A66A1		1-22 *			025-8				1-7/8	60
LOAD IND	H			1							1-7/8	60
LOAD SW	L	A66F1		1-41 *			025-7				0-3/8	61
LOAD SW	L	A64D1		1-42 *			025-7				0-3/8	61
LOAD SW	L			1							0-3/8	61
MOVE	L	A63L1		1-41 *			025-2				0-1/8	62
MOVE	L	A62P1		1-42 *			025-2				0-1/8	62
MOVE	L			1							0-1/8	62
NO PROTECT	L	A61R2		1-21 *			025-1				0-5/8	63
NO PROTECT	L	A64H1		1-42 *			025-1				0-5/8	63
NO PROTECT	L			1							0-5/8	63
ODD DRIVE	L	A62J2		1-41 *							0-3/8	64
ODD DRIVE	L	A63F2		1-42 *							0-3/8	64
ODD DRIVE	L			1							0-3/8	64
ON	L	A62A1		1-41 *			025-5				0-1/8	65
ON	L	A63H1		1-42 *			025-5				0-1/8	65
ON	L			1							0-1/8	65

REFS, C ROW NAME	APP284, V34(62)-1 A/P PIN NAME	ORDER PIN	11-301-75 MAX ORDER	ORAS DEF	1 2	2-110-76 PROGRAMS	150n PAGE 3 IC LENGTH EXCEPTIONS FLAG	ROW NUMBER
CYC ADDR 1	L	AH7F1	1-21 #	045-8	2		1	25
CYC ADDR 1	L	AH801	1-22 #	045-8	1		0-4/8	25
CYC ADDR 1	L	AH3H1	1-23 #	045-8			7-4/8	25
CYC ADDR 1	L		1					25
CYC ADDR 2	L	AH7E1	1-21 #	045-8	2		1	26
CYC ADDR 2	L	AH7E1	1-22 #	045-8	1		5-1/8	26
CYC ADDR 2	L	AH3E1	1-23 #	045-8			0-3/8	26
CYC ADDR 2	L		1					26
CYC ADDR 3	L	AH7D1	1-21 #	045-8	2		1	27
CYC ADDR 3	L	AH7D1	1-22 #	045-8	1		5-2/8	27
CYC ADDR 3	L	AH3D1	1-23 #	045-8			0-2/8	27
CYC ADDR 3	L		1					27
CYC ADDR 4	L	AH7F1	1-21 #	045-8	2		1	28
CYC ADDR 4	L	AH7F1	1-22 #	045-8	1		0-4/8	28
CYC ADDR 4	L	AH3F1	1-23 #	045-8			7-4/8	28
CYC ADDR 4	L		1					28
CYC ADDR 5	L	AH7J1	1-21 #	045-8	2		1	29
CYC ADDR 5	L	AH7J1	1-22 #	045-8	1		5-3/8	29
CYC ADDR 5	L	AH3J1	1-23 #	045-8			0-3/8	29
CYC ADDR 5	L		1					29
CYC ADDR 6	L	AH7F1	1-21 #	045-8	2		1	30
CYC ADDR 6	L	AH7F1	1-22 #	045-8	1		0-5/8	30
CYC ADDR 6	L	AH3F1	1-23 #	045-8			1-5/8	30
CYC ADDR 6	L		1					30
CYC ADDR 7	L	AH7H1	1-21 #	045-8	2		1	31
CYC ADDR 7	L	AH7H1	1-22 #	045-8	1		5-2/8	31
CYC ADDR 7	L	AH3H1	1-23 #	045-8			0-2/8	31
CYC ADDR 7	L		1					31
DC L04	H	AH7D1	1-21 #	045-8	1		5	32
DC L04	H	AH7F2	1-22 #	045-8	2		1	32
DC L04	H	AH7F2	1-23 #	045-8			0-2/8	32
DC L04	H		1					32
DIFF 1	L	AH811	1-21 #	045-7	1		5-7/8	33
DIFF 1	L	AH812	1-22 #	045-7				33
DIFF 1	L		1				5-7/8	33
DIFF 16	L	AH811	1-21 #	045-7	1		5-7/8	34
DIFF 16	L	AH812	1-22 #	045-7				34
DIFF 16	L		1				5-7/8	34
DIFF 2	L	AH811	1-21 #	045-7	1		5-5/8	35
DIFF 2	L	AH812	1-22 #	045-7				35
DIFF 2	L		1				5-5/8	35
DIFF 1	L	AH3D1	1-21 #	045-7	1		5-5/8	36
DIFF 1	L	AH5E2	1-22 #	045-7				36
DIFF 1	L		1				5-5/8	36

REFS, C ROW NAME	APP284, V34(62)-1 A/P PIN NAME	ORDER PIN	11-301-75 MAX ORDER	ORAS DEF	1 2	2-110-76 PROGRAMS	150n PAGE 4 IC LENGTH EXCEPTIONS FLAG	ROW NUMBER
DIFF 8	L	AH811	1-21 #	045-7	1		5-7/8	37
DIFF 8	L	AH5E2	1-22 #	045-7				37
DIFF 8	L		1				5-7/8	37
ISV RELAY OP	H	AH3E1	1-21 #	045-8	1		4-1/8	38
DISK RELAY OP	H	AH5E1	1-22 #	045-8				38
DISK RELAY OP	H		1				4-1/8	38
DR UNLOCKING SOLENOID	L	AH8E1	1-21 #	045-8	1		4-5/8	39
DR UNLOCKING SOLENOID	L	AH3E1	1-22 #	045-8				39
DR UNLOCKING SOLENOID	L		1				1-5/8	39
FAULT IND	H	AH8E2	1-21 #	045-8			1-1/8	40
FAULT IND	H	AH8E1	1-22 #	045-8				40
FAULT IND	H		1				1-3/8	40
FAD	H	AH3J1	1-21 #	045-8	1		1-0/8	41
FAD	H	AH5J2	1-22 #	045-8				41
FAD	H		1				1-0/8	41
GND 41		AH1C2	1-21 #		1		2-1/8	42
GND 41		AH1T1	1-22 #		2		1-5/8	42
GND 41		AH1C2	1-23 #		1		2-1/8	42
GND 41		AH1T1	1-24 #					42
GND 41			1				5-7/8	42
GND 42		AH2C2	1-21 #		1		2-1/8	43
GND 42		AH2T1	1-22 #		2		1-5/8	43
GND 42		AH2C2	1-23 #		1		2-1/8	43
GND 42		AH2T1	1-24 #					43
GND 42			1				5-7/8	43
GND 43		AH1C2	1-21 #		1		2-1/8	44
GND 43		AH1T1	1-22 #		2		1-5/8	44
GND 43		AH1C2	1-23 #		1		2-1/8	44
GND 43		AH1T1	1-24 #					44
GND 43			1				5-7/8	44
GND 44		AH4C2	1-21 #		1		2-1/8	45
GND 44		AH4T1	1-22 #		2		1-5/8	45
GND 44		AH4C2	1-23 #		1		2-1/8	45
GND 44		AH4T1	1-24 #					45
GND 44			1				5-7/8	45
GND 45		AH5C2	1-21 #		1		2-1/8	46
GND 45		AH5T1	1-22 #		2		1-5/8	46
GND 45		AH5C2	1-23 #		1		2-1/8	46
GND 45		AH5T1	1-24 #					46
GND 45			1				5-7/8	46

PK5.C PIN NAME	APP288.V34(62)-1 A/P PIN NAME	31-JUL-75 ORDER PIN	RAY - ORDER	0	DRAN OPT	PV PC Y	X	Z	REMARKS	2-JUN-76	4156 PC LENGTH FLAG	PAGE 9 EXCEPTIONS	RUN NUMBER
SELECT 3	L	A08L2	1-01 *			025-3		2			1		91
SELECT 3	L	A07L7	1-02 *			025-3		1			5-7/6		91
SELECT 3	L	A02T2	1-03 *			025-3							91
SELECT 3	L		1								6-7/6		91
SELECT 4	L	A08M2	1-01 *			025-3		2			1		92
SELECT 4	L	A07M2	1-02 *			025-3		1			5		92
SELECT 4	L	A02H2	1-03 *			025-3							92
SELECT 4	L		1								6-7/6		92
SELECT/READY	L	A01H2	1-01 *			025-1		1			2-3/6		93
SELECT/READY	L	A04V1	1-02 *					2			2-2/6		93
SELECT/READY	L	A02H1	1-03 *			025-1							93
SELECT/READY	L		1								4-5/6		93
SELECTED READ GATE	H	A01R1	1-01 *			025-9		1			1-3/6		94
SELECTED READ GATE	H	A02F2	1-02 *			025-9							94
SELECTED READ GATE	H		1								1-3/6		94
SELECTED WRITE GATE	H	A01V1	1-01 *			025-1		1			1-2/6		95
SELECTED WRITE GATE	H	A02V2	1-02 *			025-1							95
SELECTED WRITE GATE	H		1								1-2/6		95
SET UNSAFE	L	A01U2	1-01 *			025-1		1			2-2/6		96
SET UNSAFE	L	A04A1	1-02 *			025-1							96
SET UNSAFE	L		1								2-2/6		96
SLIP POSITION	H	A05H1	1-01 *			025-9		1			2-5/6		97
SLIP POSITION	H	B0601	1-02 *			025-9							97
SLIP POSITION	H		1								2-5/6		97
STROBE	L	A02V1	1-01 *			025-2		1			4-1/6		98
STROBE	L	A07H1	1-02 *			025-2		2			1		98
STROBE	L	A08H1	1-03 *			025-2							98
STROBE	L		1								5-1/6		98
UNSAFE	L	A01L2	1-01 *			025-1		1			2-5/6		99
UNSAFE	L	A04V2	1-02 *			025-1							99
UNSAFE	L		1								2-5/6		99
WRITE DATA + CLK	H	A01J1	1-01 *			025-1		1			3-7/6		100
WRITE DATA + CLK	H	A07F2	1-02 *			025-1		2			1		100
WRITE DATA + CLK	H	A08F2	1-03 *			025-1							100
WRITE DATA + CLK	H		1								4-7/6		100
WRITE GATE	L	A01L2	1-01 *			025-1		1			3-6/6		101
WRITE GATE	L	A07L2	1-02 *			025-1		2			1		101
WRITE GATE	L	A08L2	1-03 *			025-1							101
WRITE GATE	L		1								5-6/6		101
WRITE PROTECT SET	L	A02S1	1-01 *			025-3		1			3-3/6		102
WRITE PROTECT SET	L	A07R2	1-02 *			025-3		2			1		102
WRITE PROTECT SET	L	A08R2	1-03 *			025-3							102
WRITE PROTECT SET	L		1								4-3/6		102

PK5.C PIN NAME	APP288.V34(62)-1 A/P PIN NAME	31-JUL-75 ORDER PIN	RAY - ORDER	0	DRAN OPT	PV PC Y	X	Z	REMARKS	2-JUN-76	4156 PC LENGTH FLAG	PAGE 10 EXCEPTIONS	RUN NUMBER
WRITE SW OFF	L	A06M1	1-01 *			025-7		1			3-3/6		103
WRITE SW OFF	L	A07F1	1-02 *			025-7							103
WRITE SW OFF	L		1								3-3/6		103
WRITE SW ON	L	A06M1	1-01 *			025-7		1			3-3/6		104
WRITE SW ON	L	A07F1	1-02 *			025-7							104
WRITE SW ON	L		1								3-3/6		104
WRITING IND	H	A02H1	1-01 *			025-5		1			3-2/6		105
WRITING IND	H	A06F1	1-02 *			025-5							105
WRITING IND	H		1								3-2/6		105