

A/D Converters Easily Interface with 70 Series Microprocessors

National Semiconductor
Application Note 280
November 1981



A/D Converters Easily Interface with 70 Series Microprocessors

Abstract: This application note describes techniques for interfacing parallel I/O and serial I/O 8-bit A/D converters to the INS8070 series of microprocessors. A detailed hardware and software interface example is provided for each type of A/D.

As examples, the INS8073 is used to interface with the parallel I/O ADC0804, and the INS8072 is used with the serial I/O ADC0833.

INTRODUCTION

The INS8070 series of microprocessors is designed for compact, low cost control, data acquisition, and processing applications. Up to 2.5k-bytes of ROM and 64 bytes of RAM are available on-chip. The INS8073 is a programmed version of the INS8072 with a Tiny Basic microinterpreter on-chip. The microinterpreter executes source code directly, thus avoiding the need to translate the source code into machine language. This approach allows users to develop system software without using a development system and gives a greater flexibility for design changes.

The ADC0801 series, the ADC0808 series, and the ADC0816 series are CMOS 8-bit successive approximation A/D converters that include TRI-STATE® latched outputs and control logic for parallel I/O. These A/Ds can be mapped into memory space or they can be controlled as I/O devices. The ADC0801 series includes a differential input and span adjust pin, while the ADC0808 and ADC0816 series

include an 8- or 16-channel multiplexer with latched control logic.

The ADC0831 series, on the other hand, are CMOS 8-bit successive approximation A/D converters with serial I/O. In addition to the single analog input ADC0831 in an 8-pin miniDIP, they offer 8, 4, or 2-channel analog multiplexed inputs. Serial output data can be selected as either MSB or LSB first. The channel assignment of the multiplexers is accomplished with a 4-bit serial input word preceded by a leading "1" start bit.

The ADC0801, ADC0802, ADC0803, ADC0804 parallel I/O A/Ds and the ADC0833 serial I/O A/D are designed to work with a 2.5V fixed reference for a 0V to 5V analog input range. The full 8 bits of resolution can be encoded over any smaller analog voltage range by applying one half of the desired full-scale analog input voltage value to the VREF/2 pin.

The ADC0805, ADC0808, ADC0809, ADC0816, ADC0817 parallel I/O A/D converters and the ADC0831, ADC0832, ADC0834, and ADC0838 serial I/O A/D converters are designed to operate ratiometrically with the system transducers. A ratiometric transducer is a conversion device whose output is proportional to some arbitrary full-scale value. The actual value of the transducer's output is not important, but the ratio of this output to the full-scale reference is important. Also, these parts are designed to use a 5V fixed reference.

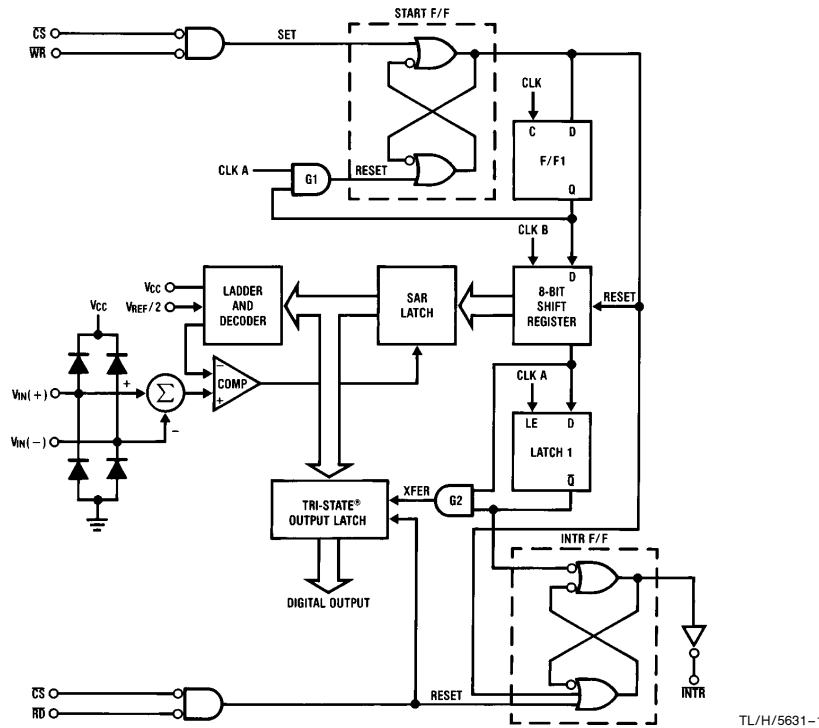


FIGURE 1. ADC0804 Internal Block Diagram

TRI-STATE® is a registered trademark of National Semiconductor Corp.

AN-280

All of these A/D converters operate from a standard 5V power supply, and are available in accuracies over the temperature range of $\pm 1/2$ LSB or ± 1 LSB including full-scale, zero scale, and non-linearity errors.

ADC0804 IMPLEMENTATION EXAMPLE

Theory of Operation

The converter is started by forcing \overline{CS} and \overline{WR} simultaneously low. This sets the start flip-flop (F/F) (see *Figure 1*) which resets the 8-bit shift register, resets the INTR F/F and sets F/F1, which is at the input end of the 8-bit shift register. When the set signal of the start F/F goes low (either \overline{WR} or \overline{CS} is high), the 8-bit shift register then shifts in a "1" from F/F1, which starts the conversion process. After the "1" is clocked through the 8-bit shift register, it appears as the input to Latch 1. The "1" output from the shift register causes the 8-bit output of the SAR latch to transfer to the TRI-STATE output latches. When Latch 1 is subsequently enabled, the Q output makes a high-to-low transition which sets the INTR F/F. An inverting buffer then supplies the \overline{INTR} output signal. When data is to be read, the combination of both \overline{CS} and RD being low will reset the INTR F/F and will enable the TRI-STATE buffer latch output onto the 8-bit data bus.

1k-byte of external RAM is provided in the INS8073 system, in which the first 256 bytes are used to store the microinterpreter's variables, stacks and buffers. The remainder of the RAM is used to store data and the interface program. The A/D is mapped into the memory space of the INS8073 system at address 3000 HEX. External RAMs are located from 1000 HEX to 13FF HEX. A DM74LS138 address decoder is used to generate the chip select signals for the A/D and the RAM. It also provides a signal to enable a DM74LS368 TRI-STATE HEX buffer which provides the baud rate setting at

location FD00 HEX. The read and write strobe signals of the A/D and the processor are tied together, and the \overline{INTR} signal of the A/D is tied to the SENSE B input of the INS8073.

The microinterpreter has built-in I/O routines to serially interface with an RS-232 terminal. The INS8073 F1 flag should be inverted and buffered to provide an RS-232 level. Similarly, the INS8073 will accept serial input data, buffered to TTL level without inversion, on its SA input. DS1488/DS1489 quad line driver/receiver chips are used for TTL/RS-232 buffering. Baud rate can be selected by matching the two jumpers, J1 and J2, (see *Figure 2*), with the table below. A "0" signifies that the jumper is missing, and a "1" means that it is installed.

J1	J2	Baud Rate
0	0	4800
0	1	1200
1	0	300
1	1	110

Details of both hardware and software interface are given below and in *Figure 2*. A Tiny Basic subroutine, along with an Assembly Language subroutine, are illustrated. The microprocessor starts the A/D, reads, and stores the results of 16 successive conversions. The 16 data bytes are stored at location 13D0 HEX to 13DF HEX. The Assembly Language subroutine can be called by issuing a "LINK" statement in Tiny Basic. It performs the same function as the Tiny Basic subroutine, except it will execute faster. The Tiny Basic subroutine takes about 60 ms to execute; the Assembly Language subroutine takes only 96 μ s (plus conversion time).

TINY BASIC INTERFACE SUBROUTINE

```

100 REM SUBROUTINE TO START A/D AND STORE DATA INTO MEMORY
110 REM C IS THE COUNTER FOR THE NUMBER OF DATA BYTES STORED
120 REM D POINTS TO THE 1ST DATA ADDRESS
130 C = 16
140 D = # 13D0
150 @ # 3000 = A
160 A = STAT AND # 20
170 IF A < > 0 THEN GO TO 160
180 @ D = @ # 3000
190 D = D + 1
200 C = C - 1
210 IF C > 0 THEN GO TO 150
220 RETURN
:REM START A/D
:REM LOOP UNTIL SENSE B GOES LOW
:REM (CONVERSION COMPLETED)
:REM INPUT CONVERTED DATA
:REM INCREMENT DT ADDRESS
:REM CHECK WHETHER 16 CONVERSIONS
:REM ARE DONE OR NOT

```

INS8072 ASSEMBLY CODE INTERFACE SUBROUTINE

```

; THIS SUBROUTINE IS TO BE CALLED BY TINY BASIC THROUGH A "LINK" STATEMENT
BEGIN:   PLI     P2, = 13D0H      ;P2 POINTS TO A 1ST BYTE ADDRESS
         PLI     P3, = 3000H     ;P3 POINTS TO A/D
         LD      A, = 0FH       ;SET CONVERSION COUNTER TO 15
         ST      A, COUNT      ;COUNTER ADDRESS
START:   ST      A, 0, P3       ;START A/D
WAIT:   LD      A, S           ;WAIT FOR SENSE B INPUT TO GO LOW
         AND     A, = 20H       ;(CONVERSION COMPLETED)
         BNZ    WAIT
         NOP
         LD      A, 0, P3       ;INPUT CONVERTED DATA
         ST      @ 1, P2       ;STORE DATA IN MEMORY
         DLD    A, COUNT      ;DECREMENT COUNTER. IF NOT DONE,
BP       START                ;DO ANOTHER CONVERSION
POP      P3                    ;RESTORE P2 AND P3 FOR TINY BASIC
POP      P2
RET      ;RETURN TO TINY BASIC

```


ADC0833 IMPLEMENTATION EXAMPLE

Theory of Operation

The three flag outputs (F1, F2, F3) and a sense input (SA or SB) are all that is required to interface the ADC0833 and the 70 series family microprocessor (see *Figure 3*). The AND S, = XX and the OR S, = XX instructions set up the status register to produce the proper output signals (D1, CLK, CS). The input is derived by loading the status register into the accumulator and masking all but the necessary bit.

The ADC0833 is selected by setting CS, CLK, and DI low. After setting a counter to account for the 4-bit MUX address and the start bit, the data is shifted out, serially. This is

accomplished by testing the carry bit after each shift and modifying FI accordingly (see Tables I and II and *Figure 4*). Once the leading sentinel bit and all four MUX address bits are clocked in, the A/D input is disabled and DO is enabled. One clock pulse is required to sync the output with the falling clock edge; the falling clock edge is used to clock data out. Each of eight successive input loops load the status register into the accumulator and the masks to determine whether the input was a "1" or "0". After ascertaining which, the result is loaded into the accumulator and the program successively shifts left (for a "0"), or shifts left and adds a "1" (for a "1"). A digitized byte is formed representing the analog input (see *Figures 5 and 6*).

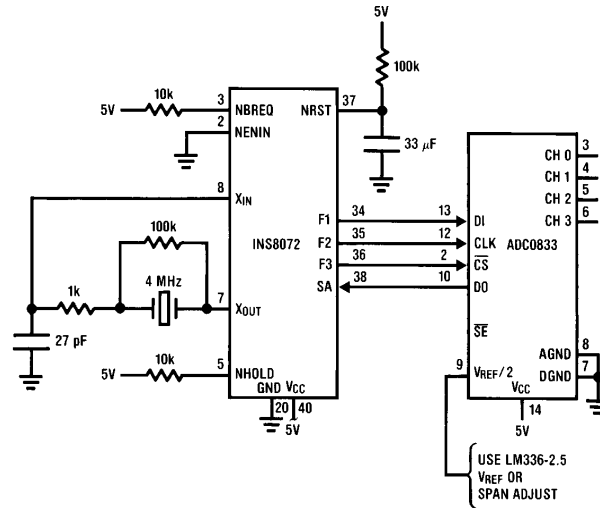


FIGURE 3. A/D Conversion Circuit for Single-Ended MSB First Mode

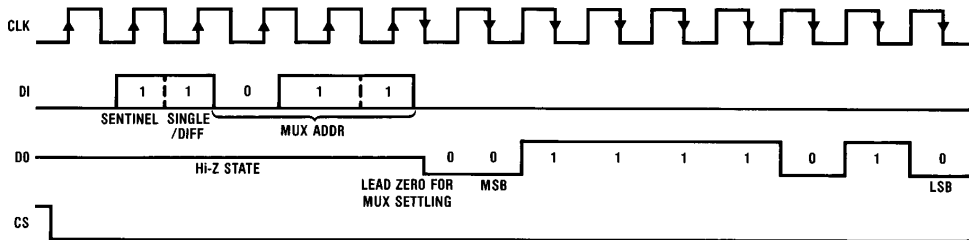


FIGURE 4. Example I/O Transaction (A/D Output = 7A; Channel 2, Single-Ended Selected)

TL/H/5631-3

TABLE I. SINGLE-ENDED MUX MODE

LSB	MSB	S/D	Start	Single-Ended				HEX Code
				0	1	2	3	
1	0	0	1	+				13
1	1	0	1			+		1B
1	0	1	1		+			17
1	1	1	1				+	1F

TABLE II. DIFFERENTIAL MUX MODE

LSB	MSB	S/D	Start	Differential				HEX Code
				0	1	2	3	
1	0	0	1	+	-			11
1	1	0	1			+	-	19
1	0	1	1	-	+			15
1	1	1	1			-	+	1D

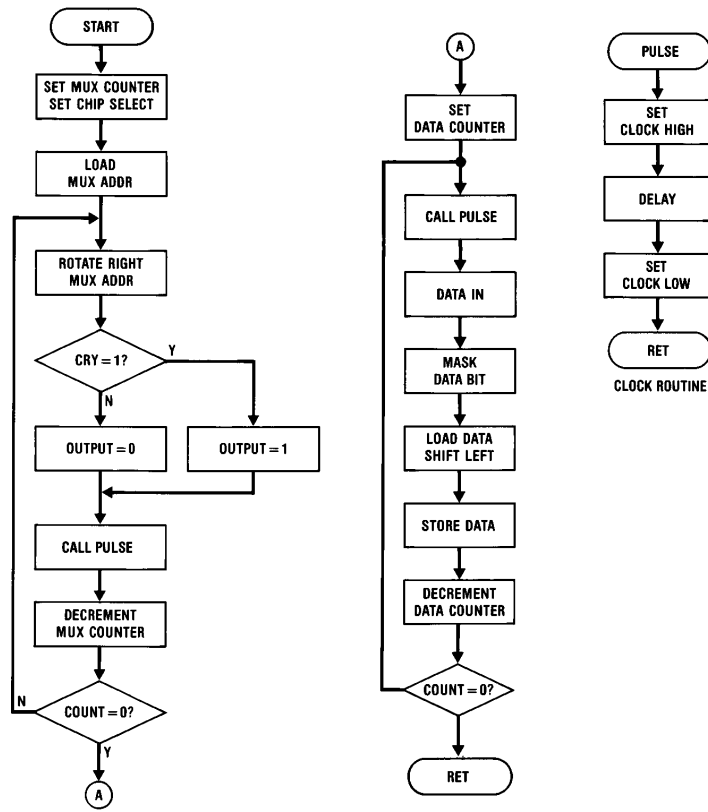


FIGURE 5. A/D Conversion Flow Chart

TL/H/5631-4

```

START:  AND    S,=0F0H      ;SET CS=0, CLK=0
        LD     A,=5
        ST    A, CNTR ADDR ;SET UP MUX ADDR COUNTER
        LD     A,=0
        ST    A, RESLT ADDR ;CLEARS RESULT LOCATION
        LD     A,= MUX ADDR ;LOAD MUX ADDR AND SENTINEL BIT
        JMP    LOOPS
LOOP 1: XCH   A, E          ;RESTORE MUX ADDR REMAINDER
LOOP 5: RRL   A            ;ROTATE BIT 0 INTO CARRY
        XCH   A, E          ;SAVE MUX ADDR REMAINDER
        LD     A, S          ;LOAD STATUS REG
        BP    ZERO         ;IF CARRY NOT SET, OUTPUT="0"
ONE:    OR    S,=02        ;SET F1=1 (D1=1)
        JMP    CONT
ZERO:   AND   S,=0F0H      ;SET F1=0 (D1=0)
CONT:   CALL  PULSE        ;PULSE CLK 0 → 1 → 0
        DLD   A1 CNTR ADDR ;DECR AND LOAD COUNTER
        BNZ   LOOP 1       ;BRANCH IF COUNT=0
        LD     A,=08        ;SET UP DATA BIT COUNTER
LOOP 2: CALL  PULSE        ;PULSE CLOCK 0 → 1 → 0
        LD     A, S          ;LOAD STATUS REG
        AND   A,=01        ;DETERMINE IF DATA="1"
        BZ    IN0          ;IF ACC=0, GO TO IN0
        LD     A, RESLT ADDR ;LOAD CURRENT RESULT
        SL    A            ;SHIFT RESULT LEFT
        ADD   A,=1         ;ENTER LATEST DATA BIT
        JMP    GO
IN0:    LD     A, RESLT ADDR ;LOAD RESULT
        SL    A            ;SHIFT RESULT LEFT, BIT 0=0
GO:     ST    A, RESLT ADDR ;STORE CURRENT RESULT
        DLD   A, CNTR ADDR ;DECR AND LOAD DATA COUNTER
        BNZ   LOOP 2       ;IF COUNTER≠0, CONT
        RET
PULSE:  OR    S,=04        ;SET F2=1 (CLK=1)
        NOP
        AND   S,=0FBH      ;SET F2=0 (CLK=0)
        RET
    
```

FIGURE 6. Single-Ended A/D Conversion Program

LIFE SUPPORT POLICY

NATIONAL'S PRODUCTS ARE NOT AUTHORIZED FOR USE AS CRITICAL COMPONENTS IN LIFE SUPPORT DEVICES OR SYSTEMS WITHOUT THE EXPRESS WRITTEN APPROVAL OF THE PRESIDENT OF NATIONAL SEMICONDUCTOR CORPORATION. As used herein:

1. Life support devices or systems are devices or systems which, (a) are intended for surgical implant into the body, or (b) support or sustain life, and whose failure to perform, when properly used in accordance with instructions for use provided in the labeling, can be reasonably expected to result in a significant injury to the user.
2. A critical component is any component of a life support device or system whose failure to perform can be reasonably expected to cause the failure of the life support device or system, or to affect its safety or effectiveness.



National Semiconductor Corporation
 1111 West Bardin Road
 Arlington, TX 76017
 Tel: 1(800) 272-9959
 Fax: 1(800) 737-7018

National Semiconductor Europe
 Fax: (+49) 0-180-530 85 86
 Email: cnjwge@tevm2.nsc.com
 Deutsch Tel: (+49) 0-180-530 85 85
 English Tel: (+49) 0-180-532 78 32
 Français Tel: (+49) 0-180-532 93 58
 Italiano Tel: (+49) 0-180-534 16 80

National Semiconductor Hong Kong Ltd.
 19th Floor, Straight Block,
 Ocean Centre, 5 Canton Rd.
 Tsimshatsui, Kowloon
 Hong Kong
 Tel: (852) 2737-1600
 Fax: (852) 2736-9960

National Semiconductor Japan Ltd.
 Tel: 81-043-299-2309
 Fax: 81-043-299-2408

National does not assume any responsibility for use of any circuitry described, no circuit patent licenses are implied and National reserves the right at any time without notice to change said circuitry and specifications.