



CAT. NO. 26-3211



Monochrome Monitor VM-2

Owner's Manual

IMPORTANT INFORMATION

This equipment generates and uses radio frequency energy and if not installed and used properly, that is, in strict accordance with the instructions, may cause interference to radio and television reception. This equipment has been tested and found to comply with the limits for a Class "B" computing device in accordance with the specifications in Subpart J of Part 15 of FCC Rules, which are designed to provide reasonable protection against such interference in a residential installation.

However, there is no guarantee that interference will not occur in a particular installation. If this equipment does cause interference to radio or television reception, which can be determined by turning the equipment off and on, the user is encouraged to try to correct the interference by one or more of the following measures:

- Reorient the receiving antenna
- Relocate the computer with respect to the receiver.
- Move the computer away from the receiver.
- Plug the computer into a different outlet so that computer and receiver are on different branch circuits.

If necessary, the user should consult the dealer or an experienced radio/television technician for additional suggestions. The user may find the following booklet prepared by the Federal Communications Commission helpful: "How to Identify and resolve Radio-TV Interference Problems". This booklet is available from the US Government Printing Office, Washington, D.C., 20402, Stock No. 004-000-00345-4."

TERMS AND CONDITIONS OF SALE AND LICENSE OF TANDY COMPUTER EQUIPMENT AND SOFTWARE PURCHASED FROM RADIO SHACK COMPANY-OWNED COMPUTER CENTERS, RETAIL STORES AND RADIO SHACK FRANCHISEES OR DEALERS AT THEIR AUTHORIZED LOCATIONS

LIMITED WARRANTY

I. CUSTOMER OBLIGATIONS

- A CUSTOMER assumes full responsibility that this computer hardware purchased (the "Equipment"), and any copies of software included with the Equipment or licensed separately (the "Software") meets the specifications, capacity, capabilities, versatility, and other requirements of CUSTOMER.
- B CUSTOMER assumes full responsibility for the condition and effectiveness of the operating environment in which the Equipment and Software are to function, and for its installation.

II. LIMITED WARRANTIES AND CONDITIONS OF SALE

- A For a period of ninety (90) calendar days from the date of the Radio Shack sales document received upon purchase of the Equipment, RADIO SHACK warrants to the original CUSTOMER that the Equipment and the medium upon which the Software is stored is free from manufacturing defects. **This warranty is only applicable to purchases of Tandy Equipment by the original customer from Radio Shack company-owned computer centers, retail stores, and Radio Shack franchisees and dealers at their authorized locations.** The warranty is void if the Equipment's case or cabinet has been opened, or if the Equipment or Software has been subjected to improper or abnormal use. If a manufacturing defect is discovered during the stated warranty period, the defective Equipment must be returned to a Radio Shack Computer Center, a Radio Shack retail store, a participating Radio Shack franchisee or a participating Radio Shack dealer for repair, along with a copy of the sales document or lease agreement. The original CUSTOMER'S sole and exclusive remedy in the event of a defect is limited to the correction of the defect by repair, replacement, or refund of the purchase price, at RADIO SHACK'S election and sole expense. RADIO SHACK has no obligation to replace or repair expendable items.
- B RADIO SHACK makes no warranty as to the design, capability, capacity, or suitability for use of the Software, except as provided in this paragraph. Software is licensed on an "AS IS" basis, without warranty. The original CUSTOMER'S exclusive remedy, in the event of a Software manufacturing defect is its repair or replacement within thirty (30) calendar days of the date of the Radio Shack sales document received upon license of the Software. The defective Software shall be returned to a Radio Shack Computer Center, a Radio Shack retail store, a participating Radio Shack franchisee or Radio Shack dealer along with the sales document.
- C Except as provided herein no employee, agent, franchisee, dealer or other person is authorized to give any warranties of any nature on behalf of RADIO SHACK.
- D **EXCEPT AS PROVIDED HEREIN, RADIO SHACK MAKES NO EXPRESS WARRANTIES, AND ANY IMPLIED WARRANTY OF MERCHANTABILITY OR FITNESS FOR A PARTICULAR PURPOSE IS LIMITED IN ITS DURATION TO THE DURATION OF THE WRITTEN LIMITED WARRANTIES SET FORTH HEREIN.**
- E Some states do not allow limitations on how long an implied warranty lasts, so the above limitation(s) may not apply to CUSTOMER.

III. LIMITATION OF LIABILITY

- A **EXCEPT AS PROVIDED HEREIN, RADIO SHACK SHALL HAVE NO LIABILITY OR RESPONSIBILITY TO CUSTOMER OR ANY OTHER PERSON OR ENTITY WITH RESPECT TO ANY LIABILITY, LOSS OR DAMAGE CAUSED OR ALLEGED TO BE CAUSED DIRECTLY OR INDIRECTLY BY "EQUIPMENT" OR "SOFTWARE" SOLD, LEASED, LICENSED OR FURNISHED BY RADIO SHACK, INCLUDING, BUT NOT LIMITED TO, ANY INTERRUPTION OF SERVICE, LOSS OF BUSINESS OR ANTICIPATORY PROFITS OR CONSEQUENTIAL DAMAGES RESULTING FROM THE USE OR OPERATION OF THE "EQUIPMENT" OR "SOFTWARE." IN NO EVENT SHALL RADIO SHACK BE LIABLE FOR LOSS OF PROFITS, OR ANY INDIRECT, SPECIAL, OR CONSEQUENTIAL DAMAGES ARISING OUT OF ANY BREACH OF THIS WARRANTY OR IN ANY MANNER ARISING OUT OF OR CONNECTED WITH THE SALE, LEASE, LICENSE, USE OR ANTICIPATED USE OF THE "EQUIPMENT" OR "SOFTWARE." NOTWITHSTANDING THE ABOVE LIMITATIONS AND WARRANTIES, RADIO SHACK'S LIABILITY HEREUNDER FOR DAMAGES INCURRED BY CUSTOMER OR OTHERS SHALL NOT EXCEED THE AMOUNT PAID BY CUSTOMER FOR THE PARTICULAR "EQUIPMENT" OR "SOFTWARE" INVOLVED.**
- B RADIO SHACK shall not be liable for any damages caused by delay in delivering or furnishing Equipment and/or Software.
- C No action arising out of any claimed breach of this Warranty or transactions under this Warranty may be brought more than two (2) years after the cause of action has accrued or more than four (4) years after the date of the Radio Shack sales document for the Equipment or Software, whichever first occurs.
- D Some states do not allow the limitation or exclusion of incidental or consequential damages, so the above limitation(s) or exclusion(s) may not apply to CUSTOMER.

IV. SOFTWARE LICENSE

- RADIO SHACK grants to CUSTOMER a non-exclusive, paid-up license to use the TANDY Software on **one** computer, subject to the following provisions:
- A Except as otherwise provided in this Software License, applicable copyright laws shall apply to the Software.
 - B Title to the medium on which the Software is recorded (cassette and/or diskette) or stored (ROM) is transferred to CUSTOMER, but not title to the Software.
 - C CUSTOMER may use Software on one host computer and access that Software through one or more terminals if the Software permits this function.
 - D CUSTOMER shall not use, make, manufacture, or reproduce copies of Software except for use on **one** computer and as is specifically provided in this Software License. Customer is expressly prohibited from disassembling the Software.
 - E CUSTOMER is permitted to make additional copies of the Software **only** for backup or archival purposes or if additional copies are required in the operation of **one** computer with the Software, but only to the extent the Software allows a backup copy to be made. However, for TRSDOS Software, CUSTOMER is permitted to make a limited number of additional copies for CUSTOMER'S own use.
 - F CUSTOMER may resell or distribute unmodified copies of the Software provided CUSTOMER has purchased one copy of the Software for each one sold or distributed. The provisions of this Software License shall also be applicable to third parties receiving copies of the Software from CUSTOMER.
 - G All copyright notices shall be retained on all copies of the Software.

V. APPLICABILITY OF WARRANTY

- A The terms and conditions of this Warranty are applicable as between RADIO SHACK and CUSTOMER to either a sale of the Equipment and/or Software License to CUSTOMER or to a transaction whereby Radio Shack sells or conveys such Equipment to a third party for lease to CUSTOMER.
- B The limitations of liability and Warranty provisions herein shall inure to the benefit of RADIO SHACK, the author, owner and/or licensor of the Software and any manufacturer of the Equipment sold by Radio Shack.

VI. STATE LAW RIGHTS

The warranties granted herein give the **original** CUSTOMER specific legal rights, and the **original** CUSTOMER may have other rights which vary from state to state.

VM-2 Monochrome Monitor Owner's Manual

Copyright 1984 Tandy Corporation

Fort Worth, Texas 76102, U.S.A.

All Rights Reserved

Reproduction or use, without express written permission from Tandy Corporation, of any portion of this manual, is prohibited. While reasonable efforts have been taken in the preparation of this manual to assure its accuracy, Tandy Corporation assumes no liability resulting from any errors or omissions in this manual or from the use of the information obtained herein.

10 9 8 7 6 5 4 3 2 1

Introduction

Congratulations on your purchase of Tandy's high resolution VM-2 Monochrome Monitor.

The VM-2 combines an attractive design and advanced display features.

These features include:

- Twelve-inch green phosphor screen for clear easy-to-read text and graphics
- Non-glare display to reduce eyestrain
- Attractive design for office use
- Adjustable picture controls so that you can control brightness and contrast.
- Sharp "flicker-free" image provided by non-interlaced circuitry
- High resolution 640-dot by 225-line display for crisp characters and graphics

Description of the VM-2

Before doing anything else, be sure the following accessories are included in the package:

- VM-2 Monochrome Monitor
- Monitor-to-Computer Cable

Features and Controls

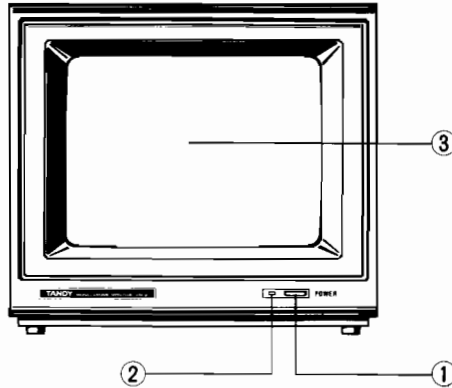


Figure 1. Front View

- ① **POWER On/Off Switch.** Press to turn the VM-2's power ON. Press again to turn the power OFF.
- ② **Power On Indicator.** This indicator illuminates when the power switch is ON.
- ③ **Green Phosphor High Resolution Video Screen.** Front viewing surface.

Features and Controls cont'd

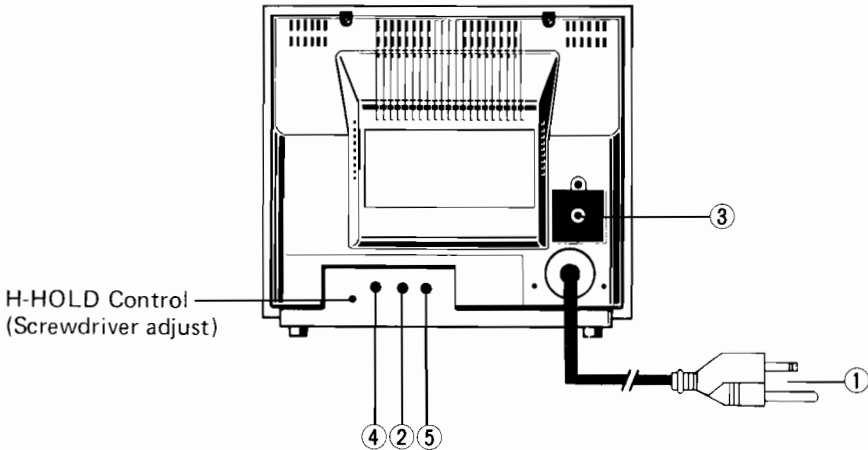


Figure 2. Rear View

- ① **Power Cord.** Plug this power cord into a standard electrical outlet.
- ② **V-HOLD Control.** If the display “rolls” vertically, use this control to stabilize the picture.
- ③ **INPUT Signal RCA Socket.** Plug the RCA pin cable plug into this connector. Connect the other end to the composite video output.
- ④ **BRIGHTNESS Control.** To adjust the picture brightness, use this control.
- ⑤ **CONTRAST Control.** To improve contrast of the characters with the screen, adjust this control.

Setting up the VM-2

The VM-2 is easy to set up. Just connect the monitor to a compatible CPU, and you're ready to power-up.

Connecting to a computer:

1. Make sure that the power to all equipment is OFF.
2. Connect the RCA pin cable connector to the RCA pin jack located on the rear panel of the monitor. Connect the other end of the cable to the computer's video output connector.

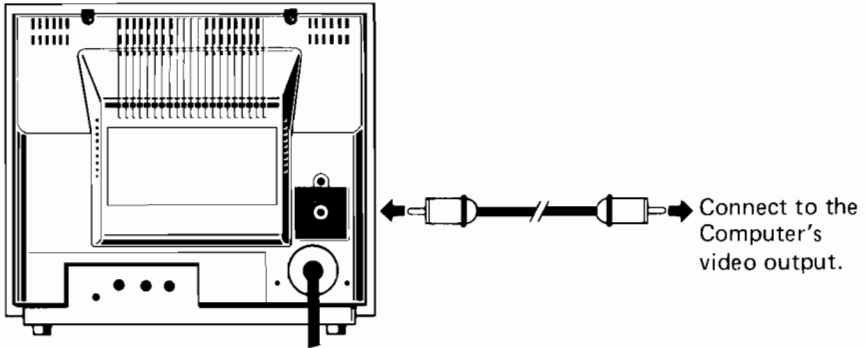


Figure 3. VM-2 to-Computer Connection

Using the VM-2

Power-up all equipment. Use your system owner's manual for instructions on power-up your computer and other peripherals. After power-up, you may need to adjust the picture quality of the VM-2 to compensate for your lighting environment.

Picture Quality Adjustment

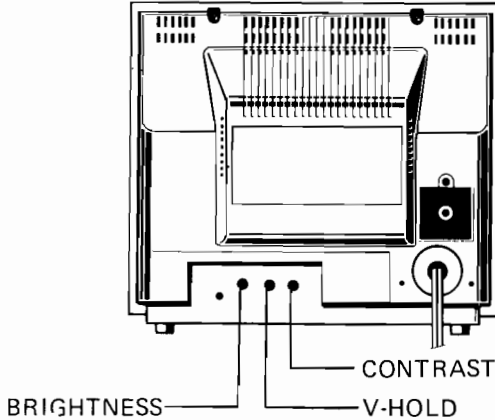


Figure 4. Rear View

V-HOLD

This control stabilizes the display on the screen.

Rotate the knob fully counterclockwise and then slowly clockwise until the display is stable.

CONTRAST and BRIGHT

Adjust the screen brightness to compensate for room lighting conditions.

- If the room is dark, rotate the control counterclockwise until the picture is easily visible.
- If the room is bright, rotate the control clockwise until the picture is easily visible.

Care and Maintenance

Unplug the set and have it checked by your qualified Radio Shack Service Technician if:

- Set has been dropped or the cabinet has been damaged.
- Power cord is damaged or frayed.
- Set has been exposed to rain or water.

When you are unable to restore normal operation by following the detailed procedure in your operation instructions, do not attempt any further adjustment. Improper adjustment of other controls may result in damage and often will require extensive work by a qualified technician to restore the set to normal operation. Unplug the set and call your Radio Shack store or Radio Shack Computer Center.

If the set fails, or exhibits a distinct change in performance, unplug the set and have it checked by a professional Radio Shack service technician. It is normal for some sets to make occasional snapping and popping sounds, particularly when being turned on or off. If the snapping or popping is continuous or frequent, unplug the set and contact your Radio Shack store or computer center.

Installation and Location Hints

The set has slots, openings in the cabinet and back for ventilation purposes, to provide reliable operation of the monitor and to protect it from overheating.

- Install the set at least 4-inches (0.1 meter) away from the wall.
- Never cover the slots or openings with cloth or other fabric.
- Never block the bottom ventilation slots by placing it on a bed, sofa, rug, etc.
- Never place the set in a built-in enclosure unless proper ventilation is provided.
- Never place the set near or over a radiator or heat register.
- Never expose the set to rain or excessive moisture and dust as this can be a potential cause of a fire or shock hazard.

Use the set only with a sturdy cart or stand, since a fall may cause damage to the monitor or personal injury.

Operation

Operate the set only from the power source indicated on the cabinet. Using a power source that is not marked on the monitor will shorten the life of the monitor, and cause damage in addition to improper operation.

To ensure safe operation, the three-pin plug supplied must be inserted only into a standard three-pin power point which is effectively grounded through the normal house-hold wiring. Extension cords used with the equipment must be three-wire and be correctly wired to provide connection to ground. Improperly wired extension cords are a major cause of fatalities. The fact that the equipment operates satisfactorily does not imply that the power point is grounded and that the installation is completely safe. For safety, if you have any doubt about the effective grounding of the power point, consult a qualified electrician.

Do not overload wall outlets and extension cords as this can result in fire or electrical shock. Adjust only those controls described in this manual. Improper adjustment of other controls may result in possible damage and will require the services of a technician to restore proper operation. Do not allow anything to rest on the power cord, or locate the monitor where the cord will be abused by persons walking on it.

To extend the usefull life of the monitor, always turn it OFF when not in use. Unplug the set from the wall outlet, when the set will not be used for an extended period of time, such as a weekend or vacation.

If the same characters or graphics are shown for a long time with the brightness and contrast controls set to maximum positions, part of the screen may be damaged. Use these controls with care.

Do not remove the back cover of the set as this can expose you to very high voltage and other hazards.

- Caution children about dropping or pushing objects into the cabinet openings. Some internal parts carry hazardous voltages and contact can result in electrical shock or fire.
- Never operate the set near water — for example, a bathtub, washbasin, kitchen sink, laundry tub, swimming pool or in a wet basement, etc.
- Never spill liquids of any kind on the monitor. If a liquid has accidentally spilled into it, unplug the set and have it checked by a Radio Shack service technician before use.

Cleaning the VM-2

Always unplug the monitor before cleaning.

- Wipe the screen and the cabinet front and sides with a soft cloth.
- If the screen requires more than dusting, apply a household window cleaner to a soft cloth to clean the monitor screen.
- Do not use benzene, thinner, or any volatile substances to clean the unit as the finish may be permanently marred. Never leave the unit in contact with rubber or vinyl for an extended period.
- Occasionally, the internal parts of the monitor may need to be cleaned to prevent fire and other damage caused by dust particles. It is recommended that you take the unit to a Radio Shack Computer Center for a yearly cleaning.

Technical Information

Input Signal RCA Connector

The input signal from a computer should be connected to the RCA connector through a shielded cable that has a RCA pin plug connector.

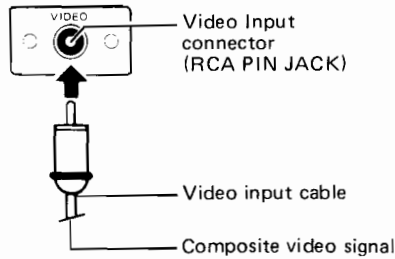
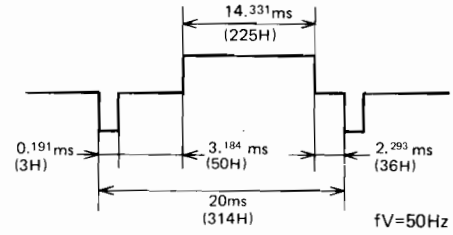
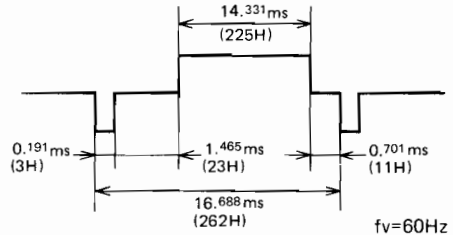
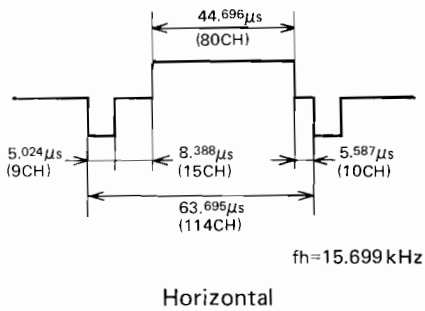


Figure 5. Wire Side View

Input Signal



When an input signal other than that recommended is transmitted to the monitor, the following may occur:

Symptom	Cause
Shrunken screen	Data display period is too short.
Expanded screen	Data display period is too long.
Image to left or right	Data display period is out of alignment.
Moving screen	Synchronization period is different.
Dark screen	Front and back porch of video signal is missing.

Specifications

Green Phosphor CRT, 12" diagonal (304.8mm), 90° non-glare	
Active Display Area	8-15/32" x 6-11/16" (215mm x 170mm)
Display Characters	80 characters x 25 lines (approximately 2000 characters)
Power Supply	U.S.A. : 120V AC, 60Hz Europe : 220V AC, 50Hz U.K./Australia : 240V AC, 50Hz
AC Input Current	U.S.A. : 0.26A Europe : 0.12A U.K./Australia : 0.11A
Input Terminal	RCA pin jack
Input Signal	Composite video signals
Input Level	1.0 Vp-p, negative sync. polarity
Input Impedance	75 ohms
Scanning Frequency	
Horizontal	15.699kHz±500Hz
Vertical	60Hz±1.0Hz, non-interlaced or 50Hz±1.0Hz, non-interlaced
Resolution	640 dots x 225 lines (within active display area)
Controls	Vertical Hold, Contrast, Brightness, H-Hold (Rear)
Cabinet Dimensions	12-5/16" (W) x 11-3/8" (H) x 12-7/8" (D) (313mm(W) x 289mm(H) x 327mm(D))
Weight	Approximately 13 lbs. 11ozs. (6.2 kg)

SERVICE POLICY

Radio Shack's nationwide network of service facilities provides quick, convenient, and reliable repair services for all of its computer products, in most instances. Warranty service will be performed in accordance with Radio Shack's Limited Warranty. Non-warranty service will be provided at reasonable parts and labor costs.

Because of the sensitivity of computer products, and the problems which can result from improper servicing, the following limitations also apply to the services offered by Radio Shack:

1. If any of the warranty seals on any Radio Shack and Tandy computer products it sells are broken, Radio Shack reserves the right to refuse to service the product or to void any remaining warranty on the product.
2. If any computer product purchased from Radio Shack has been modified so that it is not within manufacturer's specifications, including, but not limited to, the installation of any non-Radio Shack parts, components, or replacement boards, then Radio Shack reserves the right to refuse to service the product, void any remaining warranty, remove and replace any non-Radio Shack part found in the product, and perform whatever modifications are necessary to return the product to original factory manufacturer's specifications.
3. The cost for the labor and parts required to return the computer product to original manufacturer's specifications will be charged to the customer in addition to the normal repair charge.

RADIO SHACK, A DIVISION OF TANDY CORPORATION

**U.S.A. FORT WORTH, TEXAS 76102
CANADA, BARRIE, ONTARIO L4M 4W5**

TANDY CORPORATION

AUSTRALIA

**91 KURRAJONG AVENUE
MOUNT DRUITT, N.S.W. 2770**

U.K.

**BILSTON ROAD WEDNESBURY
WEST MIDLANDS WS10 7JN**

BELGIUM

**PARC INDUSTRIEL DE NANINNE
5140 NANINNE**